

Improved Blanket Wheel Gearbox

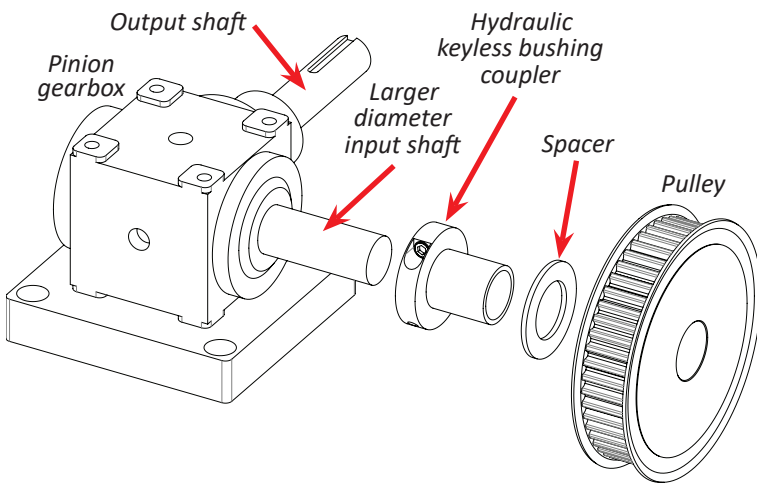
Copyright 2025 Stolle Machinery Company, LLC – All Rights Reserved

Technical Bulletin 2502-2 for Stolle Concord 36MRT Decorators

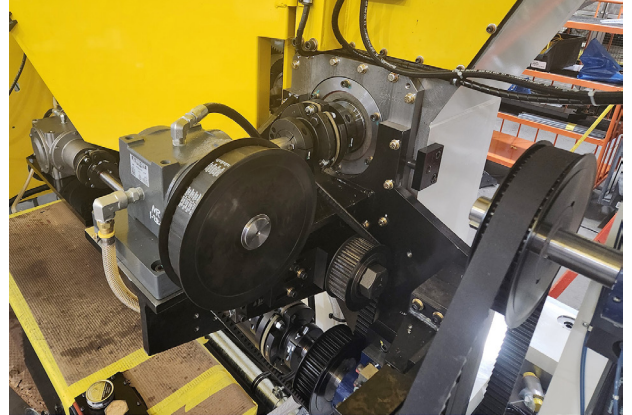
Stolle has improved the blanket wheel pinion gearbox for the Concord 36MRT Decorator to make it more robust with a larger diameter input shaft. This gearbox transmits power from the rear driveline to the bull gear, plate cylinders and blanket wheel. The new design has a larger diameter shaft allowing for approximately 50% more strength.

Historically, the input shaft was the failure point in the system. The quickest option was to replace the entire gearbox, since rebuilding it could take hours if spare parts were available.

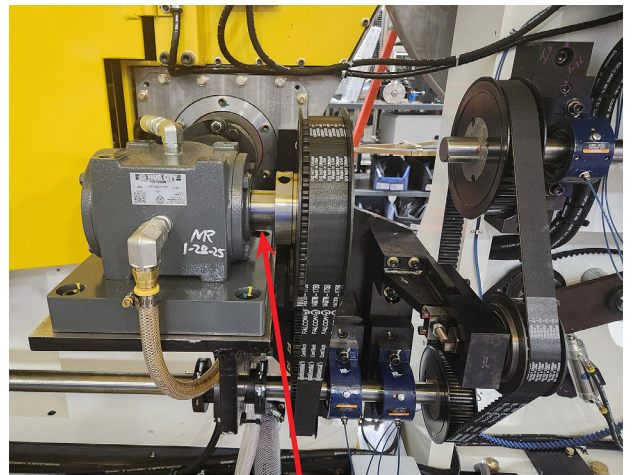
The new gearbox design features a full-sized shaft to replace the original reduced-diameter shaft. This change also removed the sharp corner at the transition point which was a point of weakness. A new hydraulic coupling, spacer and pulley are required for this retrofit. The coupling uses hydraulic fluid to clamp on the shaft, which allows for fine timing between the mandrel turret and blanket wheel without having to open the turret frame reservoir. This is a much faster and cleaner way to retime the decorator.



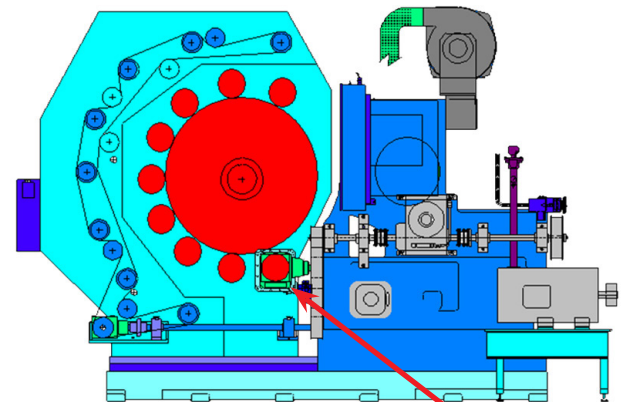
The new design can be retrofitted on any 36MRT machine. The mounting bracket, outboard shaft coupling, and belt can be reused. This new design will be standard for all new Concord 36MRT Decorators, and it will be the only offering as a replacement part.



Improved blanket wheel pinion gearbox mounted on a Concord 36MRT Decorator



View of larger diameter shaft on improved blanket wheel pinion gearbox



Location of blanket wheel pinion gearbox on drive side of machine



Stolle Machinery Company, LLC

6949 South Potomac Street, Centennial, CO 80112
Phone: +1 303-708-9044 Fax: +1 303-708-9045
www.stollemachinery.com

For more information or pricing, contact:

Andy Layden +1 303-708-5109
andy.layden@stollemachinery.com

Mark Santos +1 303-708-5173
mark.santos@stollemachinery.com