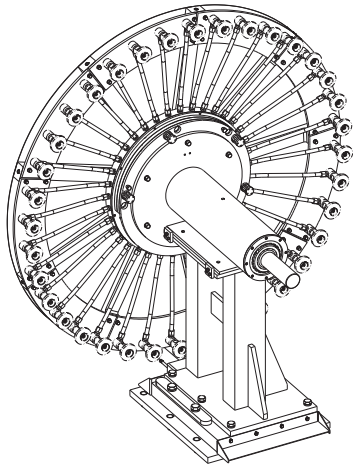


# Disc Transfer Sliding Base

Copyright 2025 Stolle Machinery Company, LLC – All Rights Reserved

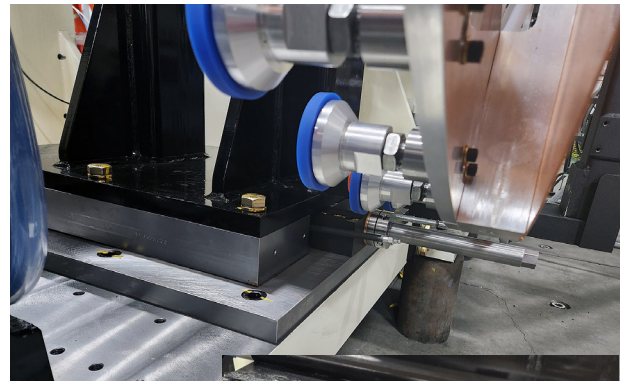
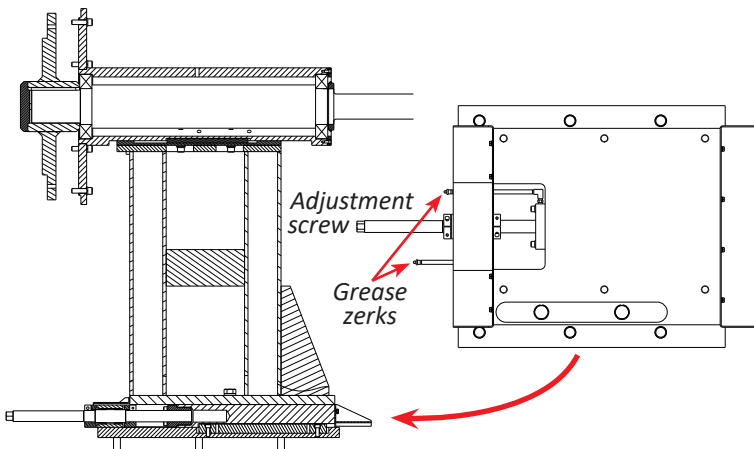
## Technical Bulletin 2502-1 for Stolle Concord 36MRT Decorators

Stolle has improved the design of the disc transfer wheel assembly on 36 mandrel Concord decorators by adding a sliding base beneath the pedestal. This feature allows the assembly to slide on the bedplate instead of using the through-shaft screw to position the wheel. The new sliding base makes can height adjustments a more robust and reliable operation.

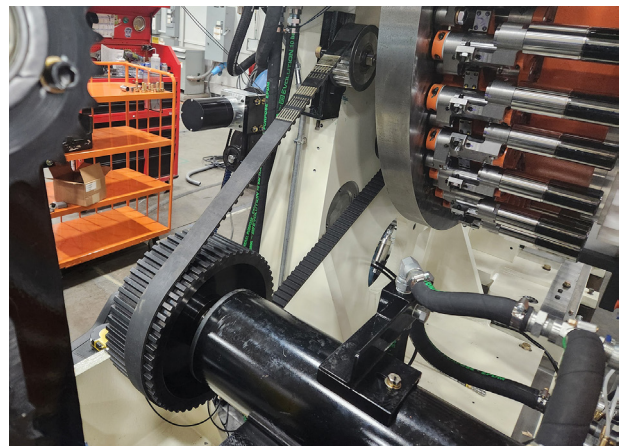
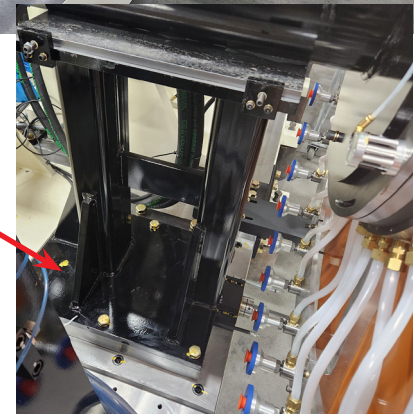


Previously, the through-shaft adjustment design was prone to getting stuck at a critical time, such as during a can height changeover. The only option was to disassemble the entire assembly and replace worn out shafts and keyways.

The new design features a sliding base on the disc transfer wheel pedestal which has a threaded screw that moves the entire assembly towards or away from the operator. The base has two grease zerks that provide lubrication to moving parts, as well as covers that help keep the area clear of varnish allowing the unit to move freely for many years. There is an extra wide pulley so the unit can move up to 3.5 inches before having to move it. If a greater adjustment is required, a quick-connect bushing is used under the pulley which can be slid back and forth to align the pulley.



*New sliding base below pedestal of the disc transfer wheel assembly*



*Extra wide pulley on disc transfer wheel shaft allows for 3.5" of adjustment*

The new sliding base design can be retrofitted on any Concord 36MRT machine that has an adjustable disc transfer wheel assembly. The disc transfer wheel itself can be reused, only the pedestal and shaft assembly need to be purchased along with some drive components.



### **Stolle Machinery Company, LLC**

6949 South Potomac Street, Centennial, CO 80112  
Phone: +1 303-708-9044 Fax: +1 303-708-9045  
[www.stollemachinery.com](http://www.stollemachinery.com)

For more information or pricing, contact:

Andy Layden +1 303-708-5109  
[andy.layden@stollemachinery.com](mailto:andy.layden@stollemachinery.com)

Mark Santos +1 303-708-5173  
[mark.santos@stollemachinery.com](mailto:mark.santos@stollemachinery.com)