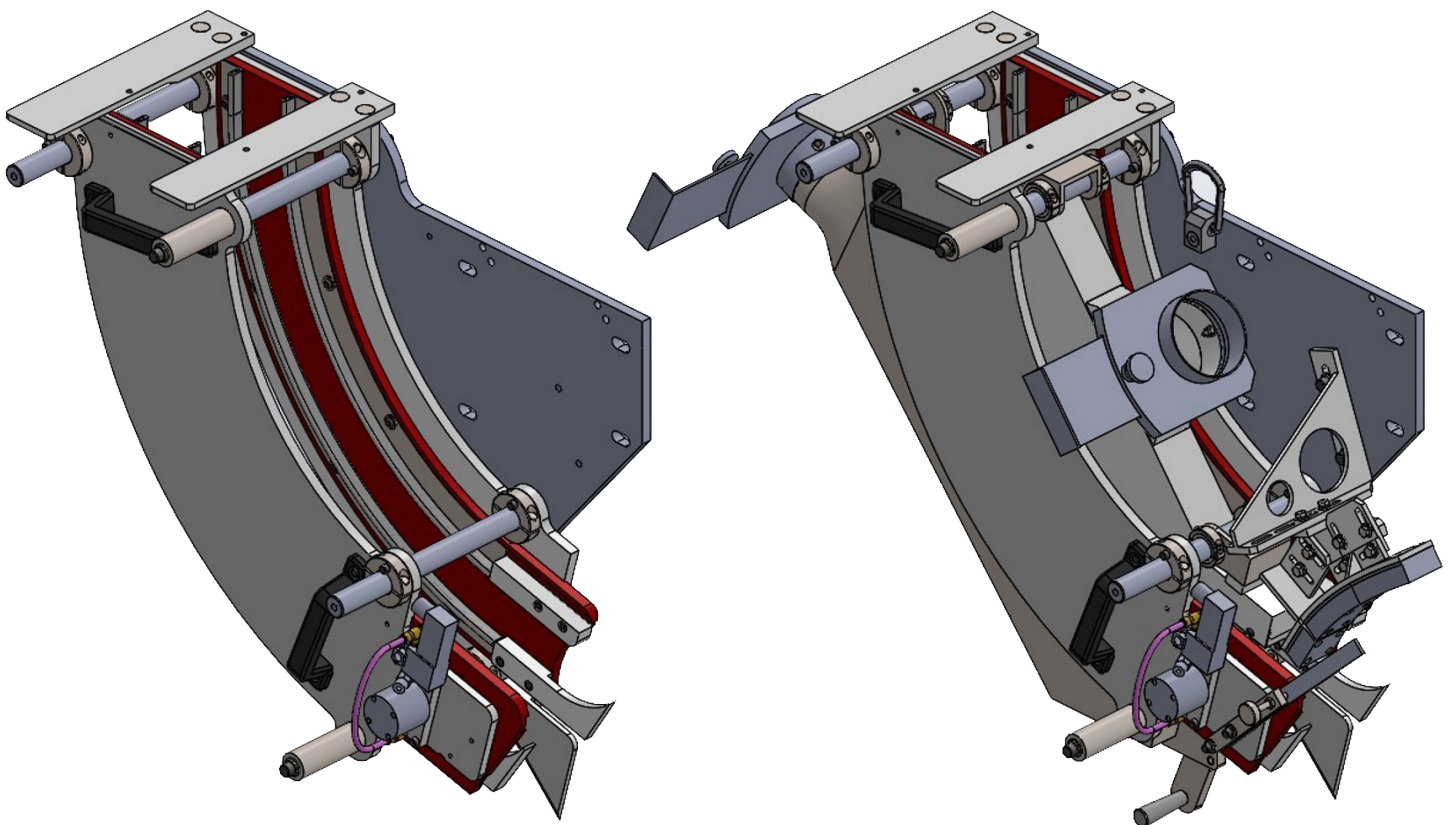


Stolle has introduced a new universal infeed assembly for the Concord Decorator which allows for quick changes of can diameters and heights. The new infeed does not have to be removed from the decorator when doing a can diameter change, which will save time and make can size changeovers faster and easier for canmakers who run different can sizes.

The universal infeed features wear rails made of low friction Hyfax material that are mounted on precision rods to maintain alignment. When doing a can diameter changeover, the fixed shape rails are changed to accommodate the proper can diameter. The infeed side plate is adjusted using a furnished fixture to set the infeed to the proper trim height. The rear plate can be adjusted to set the proper clearance between the infeed and the can mandrels, so there is no need to change the spacer behind the rear plate.

The new Stolle universal infeed fits both 24 and 36 mandrel Concord machines, and will accommodate can diameters from 202 through 307 and can heights up to 8" tall. The universal infeed will be standard on new Concord 24-MRT and 36-MRT machines, and it can be retrofitted to existing machines.



Stolle Machinery Company, LLC

6949 South Potomac Street, Centennial, CO 80112
Phone: +1 303-708-9044 Fax: +1 303-708-9045
www.stollemachinery.com

For more information or pricing, contact:

Andy Layden +1 303-708-5109
andy.layden@stollemachinery.com

Mark Santos +1 303-708-5173
mark.santos@stollemachinery.com