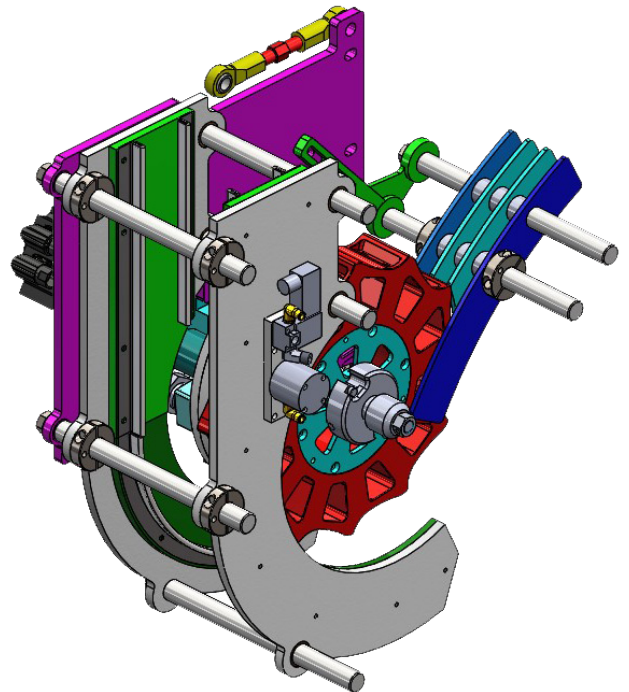
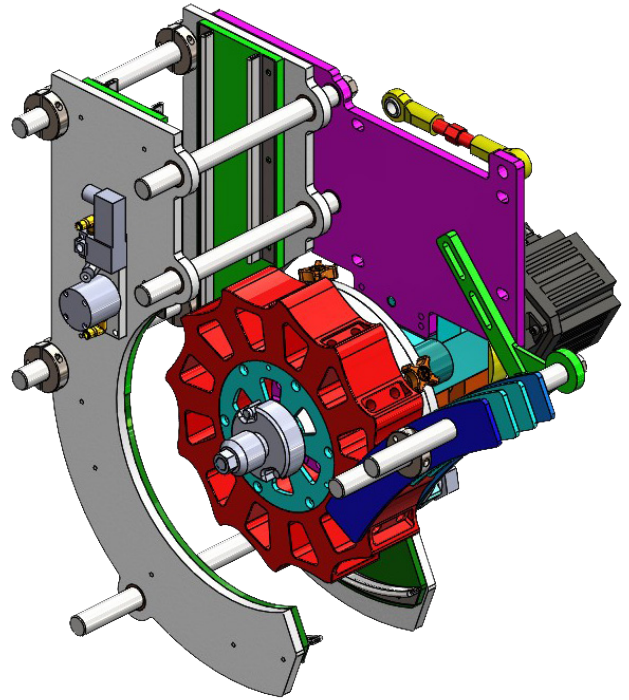


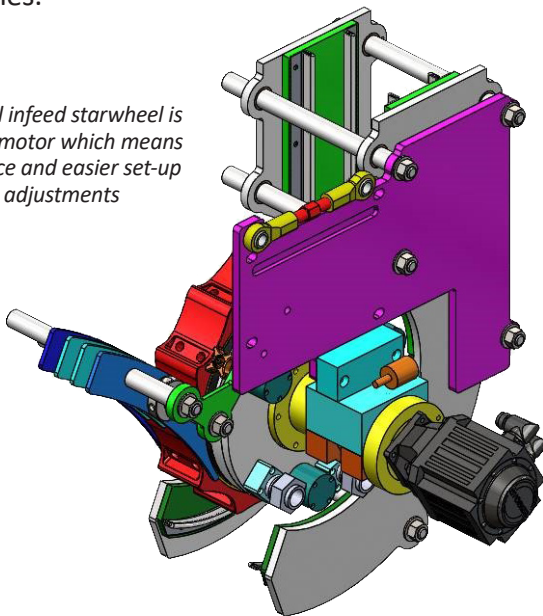
Stolle has introduced a new universal infeed starwheel assembly for the Concord Decorator. The new infeed allows for quick changes of can diameters and heights, which will save time and make can size changeovers easier for canmakers who run different can sizes.

The infeed starwheel is driven by a servo motor with no belt or gear power transfer components that require lubrication and maintenance. The direct servo drive is directly controlled by the decorator's PLC control system, which allows for simple timing and alignment adjustments when doing a can size changeover. The can paths have wear guides made from Hyfax material to ensure smooth, damage-free can handling and long life. The infeed starwheel features sealed bearings and a sealed face manifold design which lowers maintenance. All wear and change parts are simple to access and replace.

The new Stolle universal infeed starwheel will fit both 24 and 36 mandrel Concord machines, and will accommodate can diameters from 202 through 307 and can heights up to 8" tall. The infeed is available as an option on new Concord 24-MRT and 36-MRT machines, and can be retrofitted to existing machines.



The new universal infeed starwheel is driven by a servo motor which means lower maintenance and easier set-up and timing adjustments



Stolle Machinery Company, LLC

6949 South Potomac Street, Centennial, CO 80112
Phone: +1 303-708-9044 Fax: +1 303-708-9045
www.stollemachinery.com

For more information or pricing, contact:

Andy Layden +1 303-708-5109
andy.layden@stollemachinery.com

Mark Santos +1 303-708-5173
mark.santos@stollemachinery.com