

Stolle has introduced a seal pack seal installation tool to assist with seal installation in all existing seal pack assembly diameters in Standun Bodymakers. The tool alleviates issues with installing the recently-introduced white seals into the seal pack housings.

The seals around the ram on the bulkhead retain the lubricating oil in the drive side of the bodymaker and prevent it leaking into the cup feed and tool pack areas. The alignment of these seals to Stolle's engineering specifications is critical, and the seal pack installation tool ensures efficient and proper installation of the seals. After recent changes to the seal pack seal material, the tool is especially useful to facilitate proper seal insertion.

Seal installation follows this procedure:

1. The tool is placed at the seal installation location and registers to seal pack housing.
2. With the alignment tool in place, the seal is evenly pushed through the tool and into the installation cavity.
3. The seal tool is removed from the installation location.

Figures 1 and 2 demonstrate proper utilization of the seal tool. The tool works by evenly compressing the seal along its entire edge when the seal is pushed through the wide opening. Since the inner diameter of the tool is smaller than the minimum possible size of the installation cavity, the seal never catches the edges of the installation cavity.

Please note that two seal assemblies require this tool, three seal assemblies require two tools, and so on. Please see the table below for the tool part numbers to order.

Seal Size / Ram	Seal Install Tool / Tools
Ø 1.7250	222311048, 222310017
Ø 2.0000	222310019, 222310020
Ø 2.1875	222311047
Ø 2.2047	222310018
Ø 2.3750	222311046
Ø 2.5000	222310014, 222310015
Ø 2.7500	222310016, 222310023

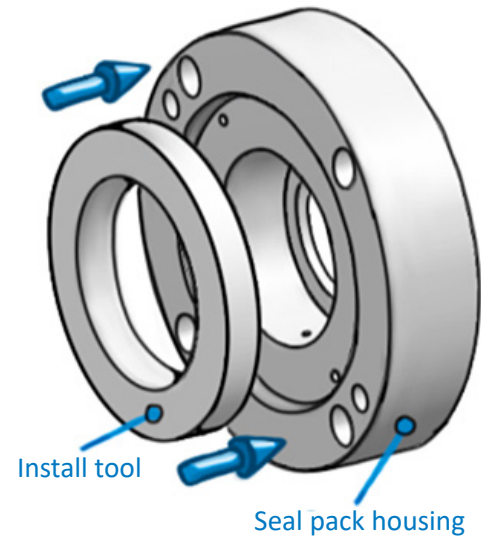


Figure 1: Install Tool is aligned to part surface

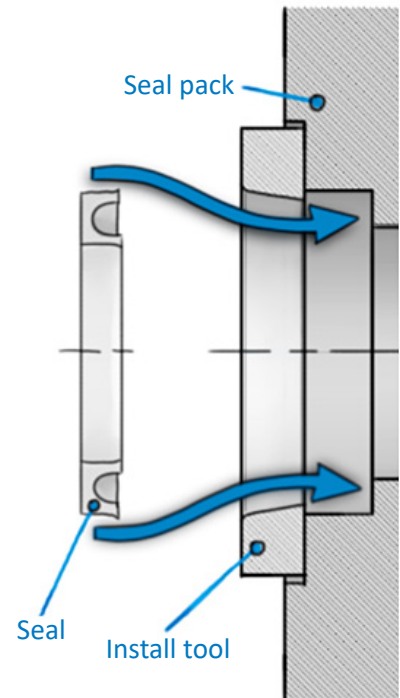


Figure 2: Seal is pressed through the install tool for proper application into seal pack housing



**Stolle Machinery Company, LLC**

6949 South Potomac Street, Centennial, CO 80112  
Phone: +1 303-708-9044 Fax: +1 303-708-9045  
www.stollemachinery.com

For more information or pricing, contact:

Zach Hart +1 303-708-5154  
zach.hart@stollemachinery.com  
Mark Leaf +1 303-708-5103  
mark.leaf@stollemachinery.com