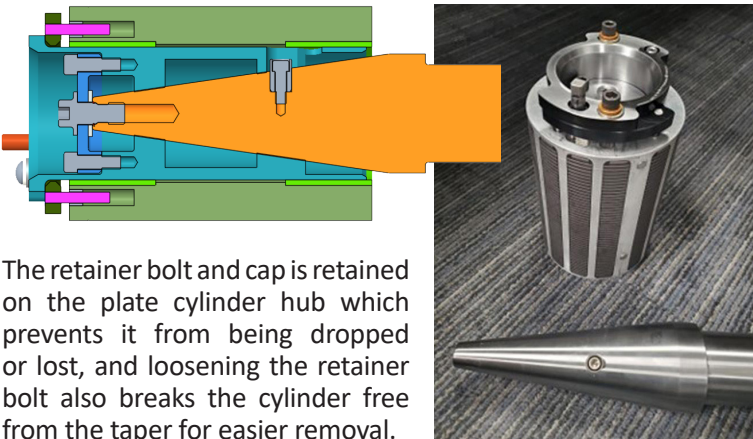


# Tapered Shaft Plate Cylinder

for Stolle Rutherford Decorators

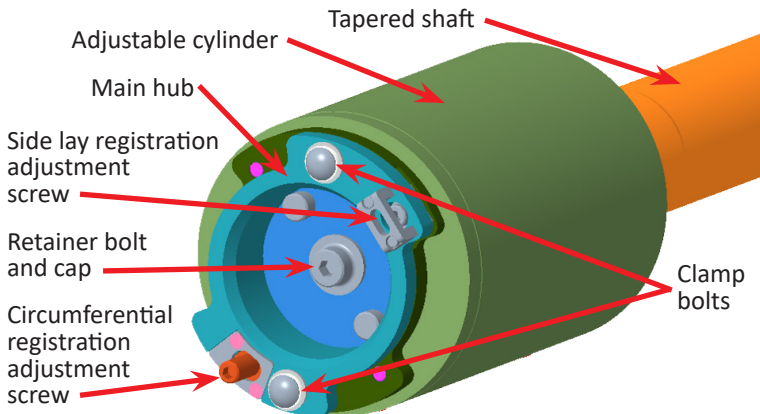
Stolle has introduced a new design plate cylinder and shaft for Rutherford Decorator inkers. The new tapered shaft and plate cylinder allows for easier and safer removal and installation of the cylinder on the shaft, as well as easier side lay adjustments of the cylinder after installation.

The tapered design of the shaft allows for a precise fit of the cylinder as it is drawn onto the taper by the retainer bolt. The taper also releases the cylinder more easily which makes removing it quicker and easier during label changes.



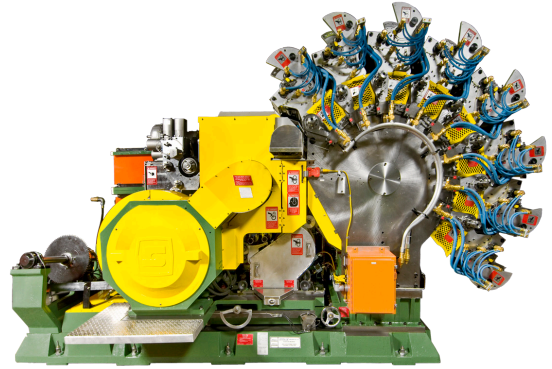
The retainer bolt and cap is retained on the plate cylinder hub which prevents it from being dropped or lost, and loosening the retainer bolt also breaks the cylinder free from the taper for easier removal.

The inner main hub of the cylinder assembly stays fixed on the tapered shaft, and the outer magnetic plate cylinder has screws for side lay and axial adjustments. *Side Lay* registration adjustments can be made without having to loosen any retainer or clamp bolts. The differential adjustment screw moves the cylinder .01042" per turn (.625 total) and has a positive stop. *Circumferential* registration adjustments require loosening two clamp bolts, and the adjustment screw provides .046" travel in each direction (.092 total). All adjustments and clamp bolts can be loosened or adjusted with a single tool (3/16" hex wrench).

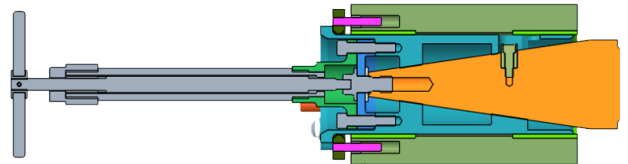


# Stolle Rutherford Decorators

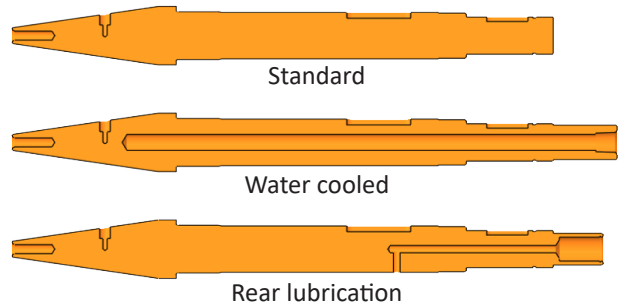
Technical Update 2210-1



A special installation and removal tool allows cylinder installation while keeping the technician's hands out of the blanket wheel area. This includes an integrated wrench that will loosen and tighten the cylinder retainer bolt.



The new tapered shafts are available in three configurations to fit your decorator print section:



Stolle tapered shafts and plate cylinders will be standard on all new Rutherford Decorators, and are available as a retrofit for all existing inkers.

For more information on or to order Stolle tapered shafts and plate cylinders for your Rutherford Decorators, please contact Mark Santos at +1 303-708-5173 or [mark.santos@stollemachinery.com](mailto:mark.santos@stollemachinery.com).



**Stolle Machinery Company, LLC**

6949 South Potomac Street, Centennial, CO 80112

Phone: +1 303-708-9044 Fax: +1 303-708-9045

[www.stollemachinery.com](http://www.stollemachinery.com)

A constant flow of innovations, technology, and new ideas to benefit customers