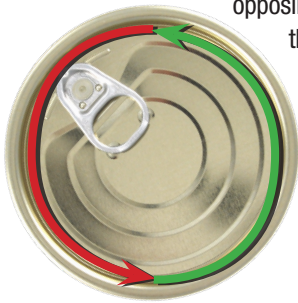


# Oscillating Spray Head

for the Stolle PostOp Machine

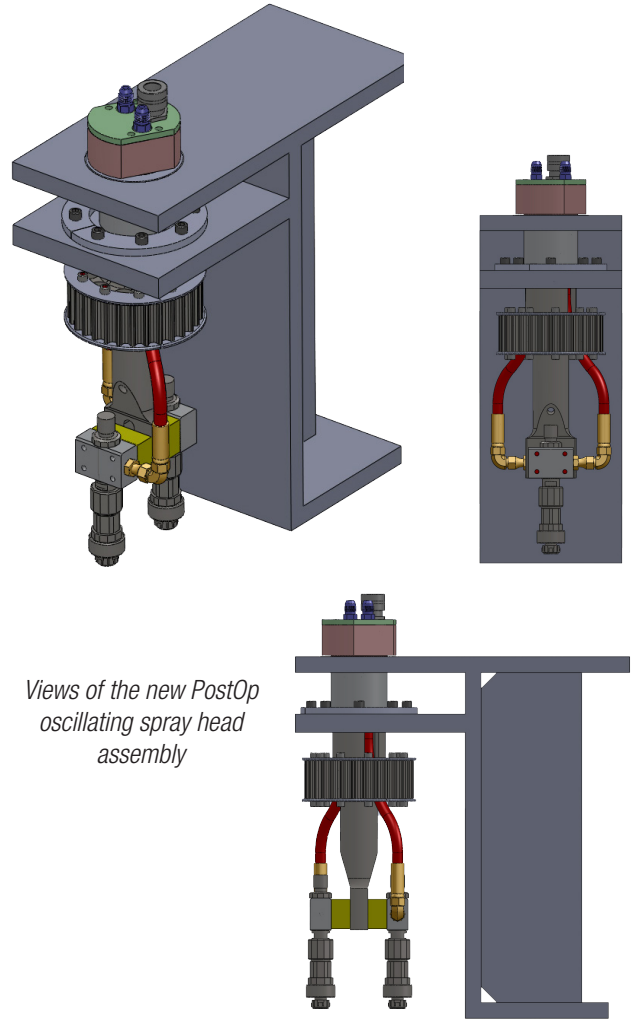
Stolle is proud to introduce a revolutionary new spray head system that improves every aspect of coating with the PostOp post repair machine. It dramatically reduces coating usage, maintenance and diameter changeover times while maintaining the machine's full production speed.

Previously, each lane of the PostOp machine had a single spray head that was translated in a 360° rotary pattern to apply the sealant coating to the score line of a steel full open food end. The new oscillating spray head assembly has two opposing spray guns, and they oscillate in unison so that each gun coats apx. half the circular score line (plus a slight adjustable overlap). By moving the spray nozzles only half a revolution, the speed of the gun movement is cut in half while maintaining the full production speed of the PostOp machine (500 EPM x 2 lanes = 1000 EPM). The shortened gun movement greatly reduces the amount of overspray and slinging and allows for better control of the coating placement on the end. Most importantly, the reduced overspray means less frequent cleaning of the spray area is required.



The new spray head assembly also requires less mechanical maintenance - it does not have rotary unions or slip rings. In addition, the diameter changeover procedure is greatly simplified - only 2 spacers need to be changed rather than total disassembly of the previous translating spray head mechanism. The spray head assemblies for each lane are driven by an oscillating cam box, which is driven from the main PostOp drive system.

## Stolle PostOp Machine Technical Update 1109-2



Views of the new PostOp oscillating spray head assembly

For more information and pricing on Stolle's new PostOp oscillating spray head, please contact Jason Davidson at +937-497-5432 or [jason.davidson@stollemachinery.com](mailto:jason.davidson@stollemachinery.com), or Carolyn Crouch at +720-560-6884 or [carolyn.crouch@stollemachinery.com](mailto:carolyn.crouch@stollemachinery.com).



**Stolle Machinery Company, LLC**

6949 South Potomac Street, Centennial, CO 80112  
Phone: +1 303-708-9044 Fax: +1 303-708-9045  
[www.stollemachinery.com](http://www.stollemachinery.com)

A constant flow of innovations, technology and ideas that benefit customers.