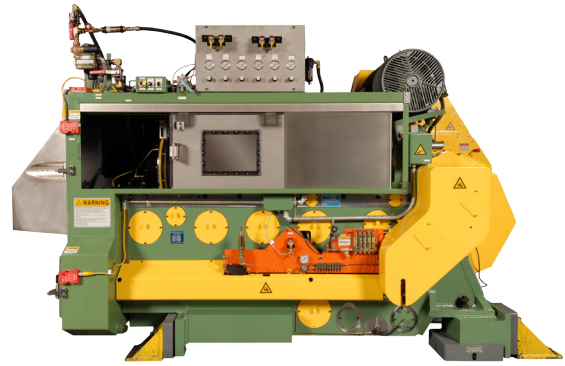




STOLLE MACHINERY



Ragsdale Bodymaker Parts Catalog

Please direct all orders from regions other than Europe, Asia, and South America to:

**Stolle Machinery Company
6949 S. Potomac Street
Centennial, CO 80112 -4036
+303-708-9044
+303-708-9045 Fax
www.stollemachinery.com**

Stolle Europe
33 Peterfield Road
Kingstown Industrial Estate
Carlisle, Cumbria
England CA3 0EY
+44 1228 818125
+44 1228 514720 Fax

Stolle do Brasil
Alameda Vênus, No 104
American Park Empresarial NR
CEP.13.347-659
Indaiatuba, SP, Brazil
+55 19 3801 8400
+55 19 3801 8419 Fax

SARVHO
Ave. Erniliano Zapata No. 127
Col Partales
C.P. 03300, Mexico
+52 55 5539 7700 / 5535-6400
800 221 8377
+52 55 5539 2239 Fax

LHR Industrial Supply C.A.
C.C y Profesional Ceravica
Nivel Mezanina Oficina 7A
Urb. El Parral Valencia
Estado Carabobo, Venezuela
+58 241 6172033
+58 241 8258073 Fax

D.I. Engineering Company
D.I.E.C. Japan
SG Building
3-7-10 Yokokawa
Sumida-ku, Tokyo
130-0003 Japan
+81 (3) 3625-1501
+81 (3) 3625-1770 Fax

D.I.E.C Japan
3-13 Shioharna
Ichikawa City
Chiba Pref.
272-0127 Japan
+81 47 395 3581
+81 47 395 3395 Fax

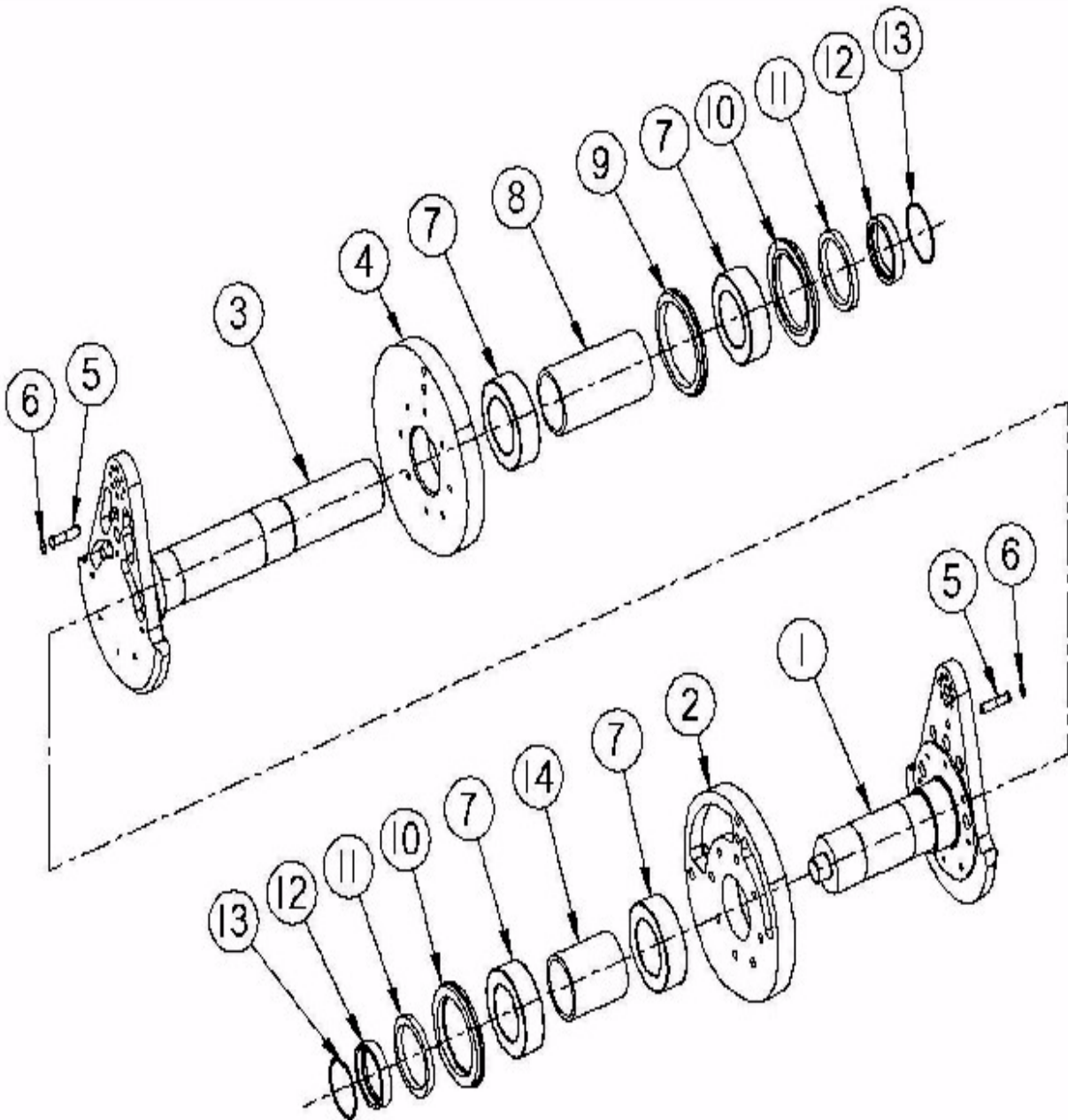
D.I.E.C. Singapore
20 Changi South Avenue 2
Singapore 286547
+65 546 8861
+65 546 8862 Fax

**Part numbers and prices are subject to change according to each machine built.
Please contact Customer Service at 1-800-433-8333 to confirm pricing and part numbers.**

18 1/2" Stroke Crankshaft Assembly 7th Generation Standard Duty

Item Number	Part Number	Description
1	107851	Crankshaft, 18.5, Operator Side
2	112298	7th Generation Redraw Cam, Timing Side
3	107852	Crankshaft, 18.5 Drive Side
4	112299	7th Generation Redraw Cam, Drive Side
5	103328	Cam Alignment Pin
6	103407	Button Nut
7	700110	Bearing
8	114511	Main Bearing Spacer, Drive Side
9	114508	Crankshaft Inner Bearing Locating Ring, Drive Side
10	114507	Crankshaft Bearing Locating Ring
11	770210	Seal
12	112102	Main Bearing Outboard Spacer
13	770940	O-ring
14	114513	Main Bearing Spacer, Operator Side

18 1/2" Stroke Crankshaft Assembly 7th Generation Standard Duty

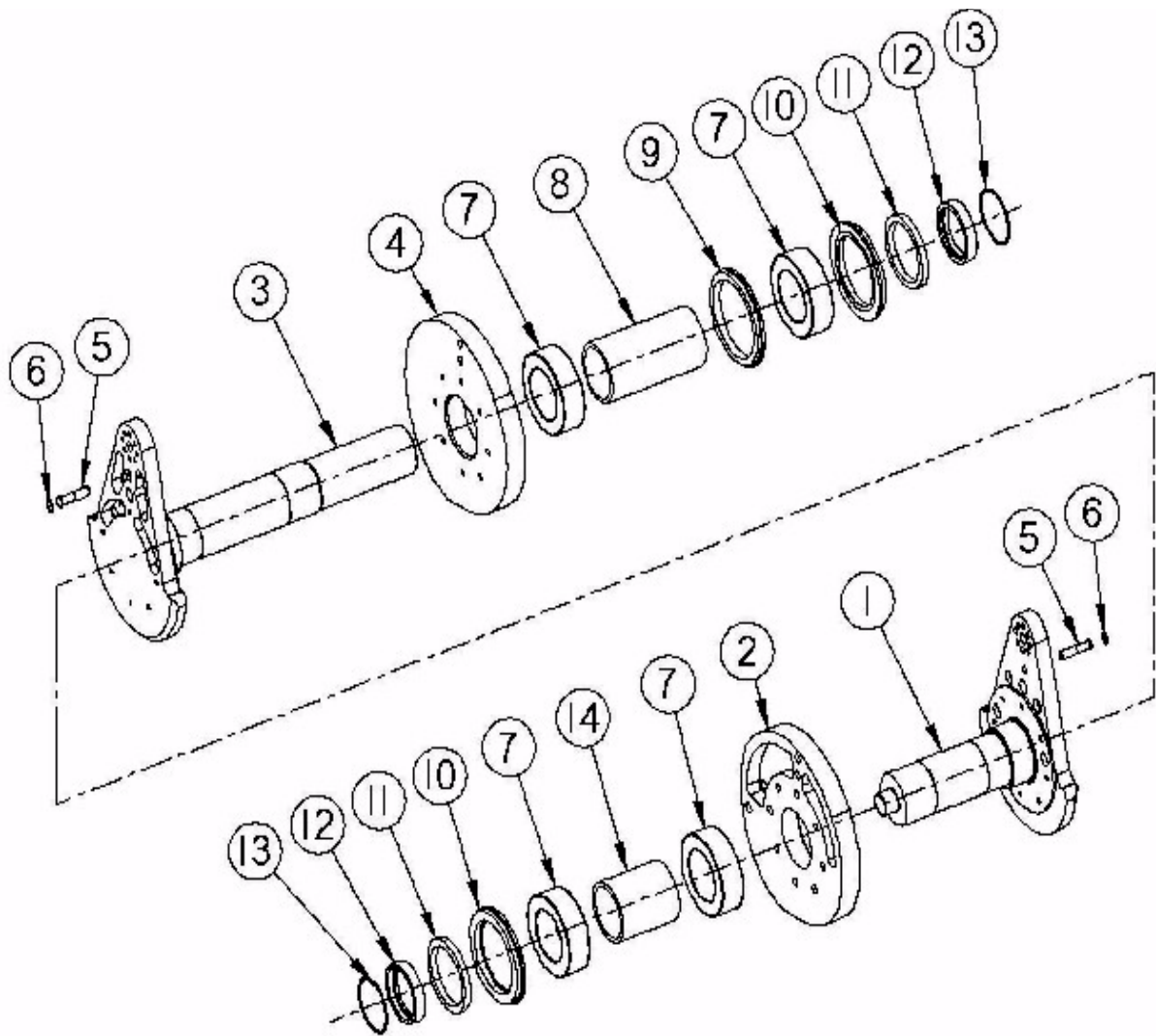


18 1/2” Stroke Crankshaft Assembly 7th Generation Heavy Duty

Item Number	Part Number	Description
1	112965	Crankshaft, 18.5 Operator Side
2	112298	7th Generation Redraw Cam, Timing Side
3	112966	Crankshaft, 18.5 Drive Side
4	112299	7th Generation Redraw Cam, Drive Side
5	103328	Cam Alignment Pin
6	103407	Button Nut
7	700110	Bearing
8	114511	Main Bearing Spacer, Drive Side
9	114508	Crankshaft Inner Bearing Locating Ring, Drive side
10	114507	Crankshaft Bearing Locating Ring
11	770210	Seal
12	112102	Main Bearing Outboard Spacer
13	770940	O-ring
14	114513	Main Bearing Spacer, Operator Side

18 1/2" Stroke Crankshaft Assembly

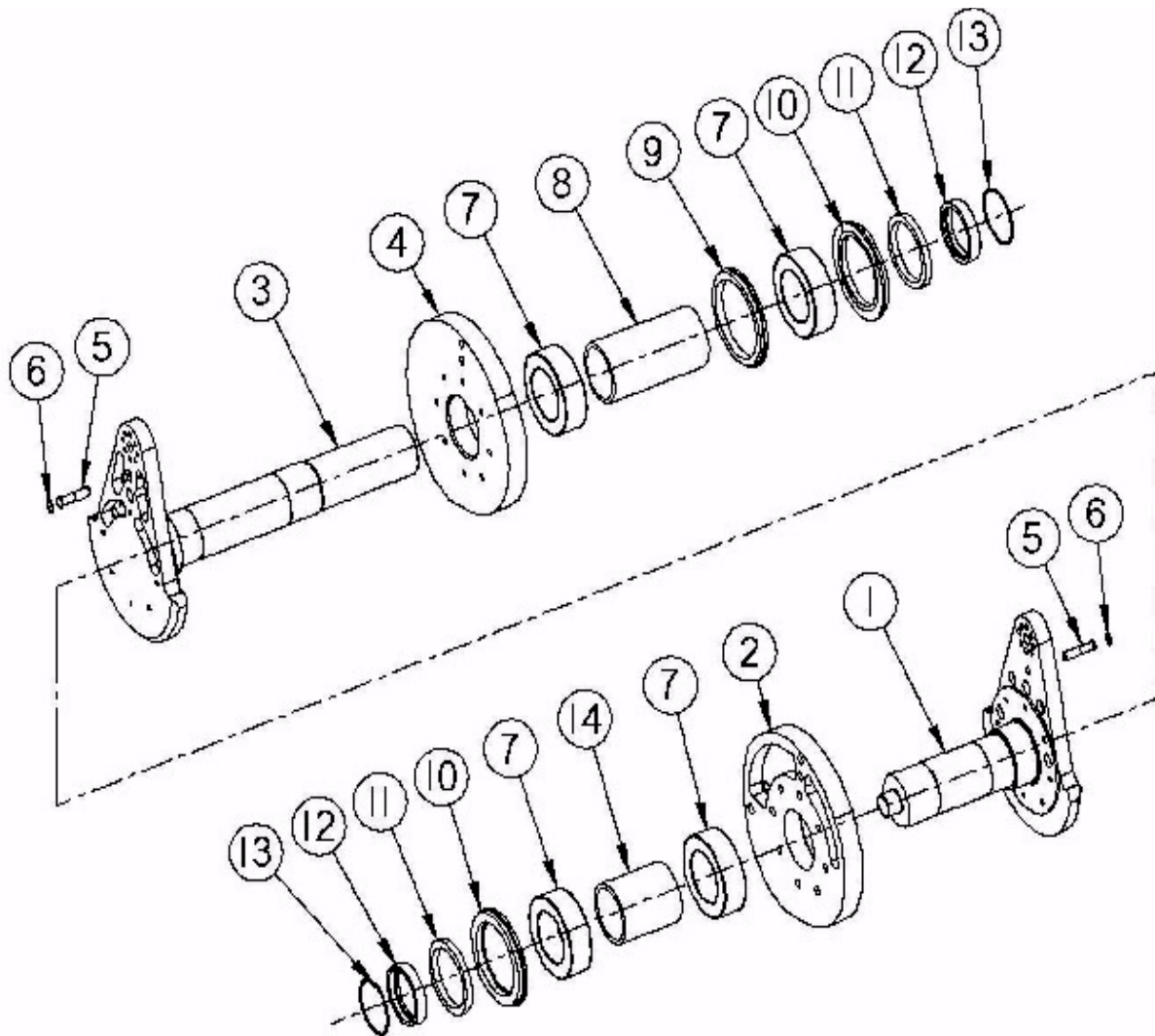
7th Generation Heavy Duty



21" Stroke Crankshaft Assembly 7th Generation Standard Duty

Item Number	Part Number	Description
1	112979	Crankshaft, 21 Operator Side
2	112298	7th Generation Redraw Cam, Timing Side
3	112982	Crankshaft, 21 Drive Side
4	112299	7th Generation Redraw Cam, Drive Side
5	103328	Cam Alignment Pin
6	103407	Button Nut
7	700110	Bearing
8	114511	Main Bearing Spacer, Drive Side
9	114508	Crankshaft Inner Bearing Locating Ring, Drive side
10	114507	Crankshaft Bearing Locating Ring
11	770210	Seal
12	112102	Main Bearing Outboard Spacer
13	770940	O-ring
14	114513	Main Bearing Spacer, Operator Side

21" Stroke Crankshaft Assembly 7th Generation Standard Duty

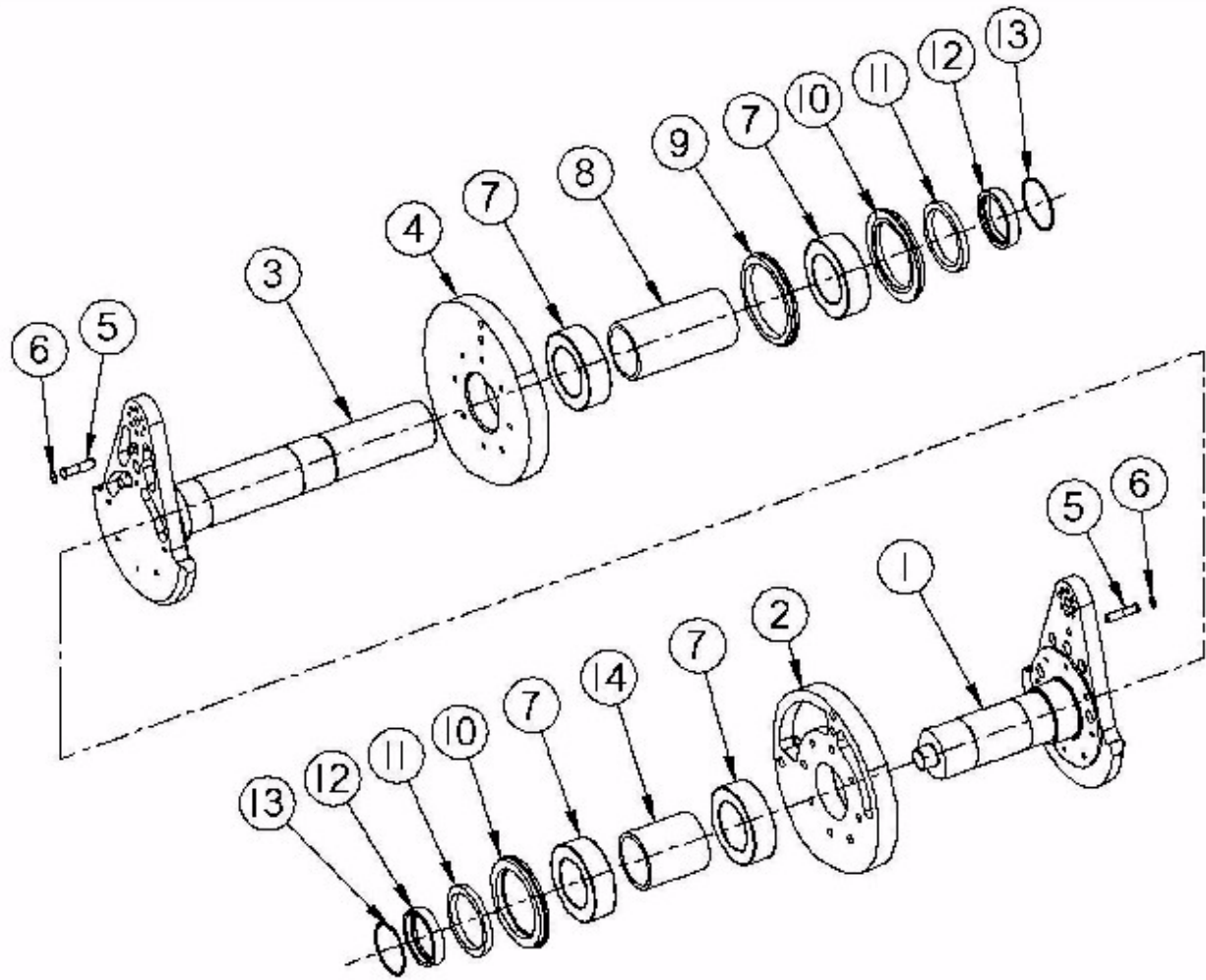


21" Stroke Crankshaft Assembly 7th Generation Heavy Duty

Item Number	Part Number	Description
1	114528	Crankshaft, 24 Operator Side
2	112298	7th Generation Redraw Cam, Timing Side
3	114527	Crankshaft, 24 Drive Side
4	112299	7th Generation Redraw Cam, Drive Side
5	114514	Cam Alignment Pin, 24 & 26.5
6	770030	Snap Ring
7	700110	Bearing
8	114511	Main Bearing Spacer, Drive Side
9	114508	Crankshaft Inner Bearing Locating Ring, Drive side
10	114507	Crankshaft Bearing Locating Ring
11	770210	Seal
12	112102	Main Bearing Outboard Spacer
13	770940	O-ring
14	114513	Main Bearing Spacer, Operator Side

21" Stroke Crankshaft Assembly

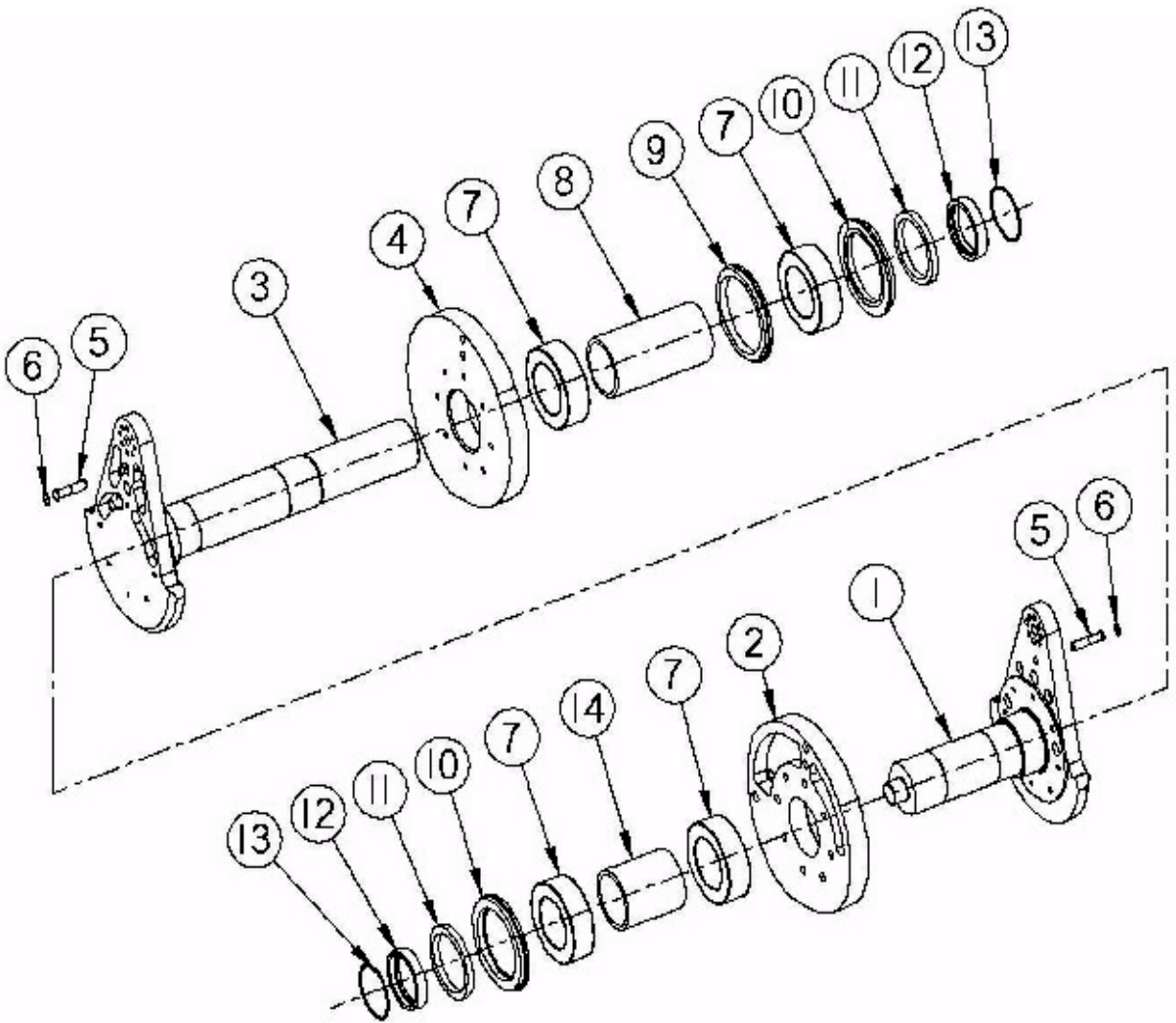
7th Generation Heavy Duty



24" Stroke Crankshaft Assembly 7th Generation Standard Duty

Item Number	Part Number	Description
1	114528	Crankshaft, 24 Operator Side
2	112298	7th Generation Redraw Cam, Timing Side
3	114527	Crankshaft, 24 Drive Side
4	112299	7th Generation Redraw Cam, Drive Side
5	114514	Cam Alignment Pin 24 & 26.5
6	770030	Snap Ring
7	700110	Bearing
8	114511	Main Bearing Spacer, Drive Side
9	114508	Crankshaft Inner Bearing Locating Ring, Drive Side
10	114507	Crankshaft Bearing Locating Ring
11	770210	Seal
12	112102	Main Bearing Outboard Spacer
13	770940	O-ring
14	114513	Main Bearing Spacer, Operator Side

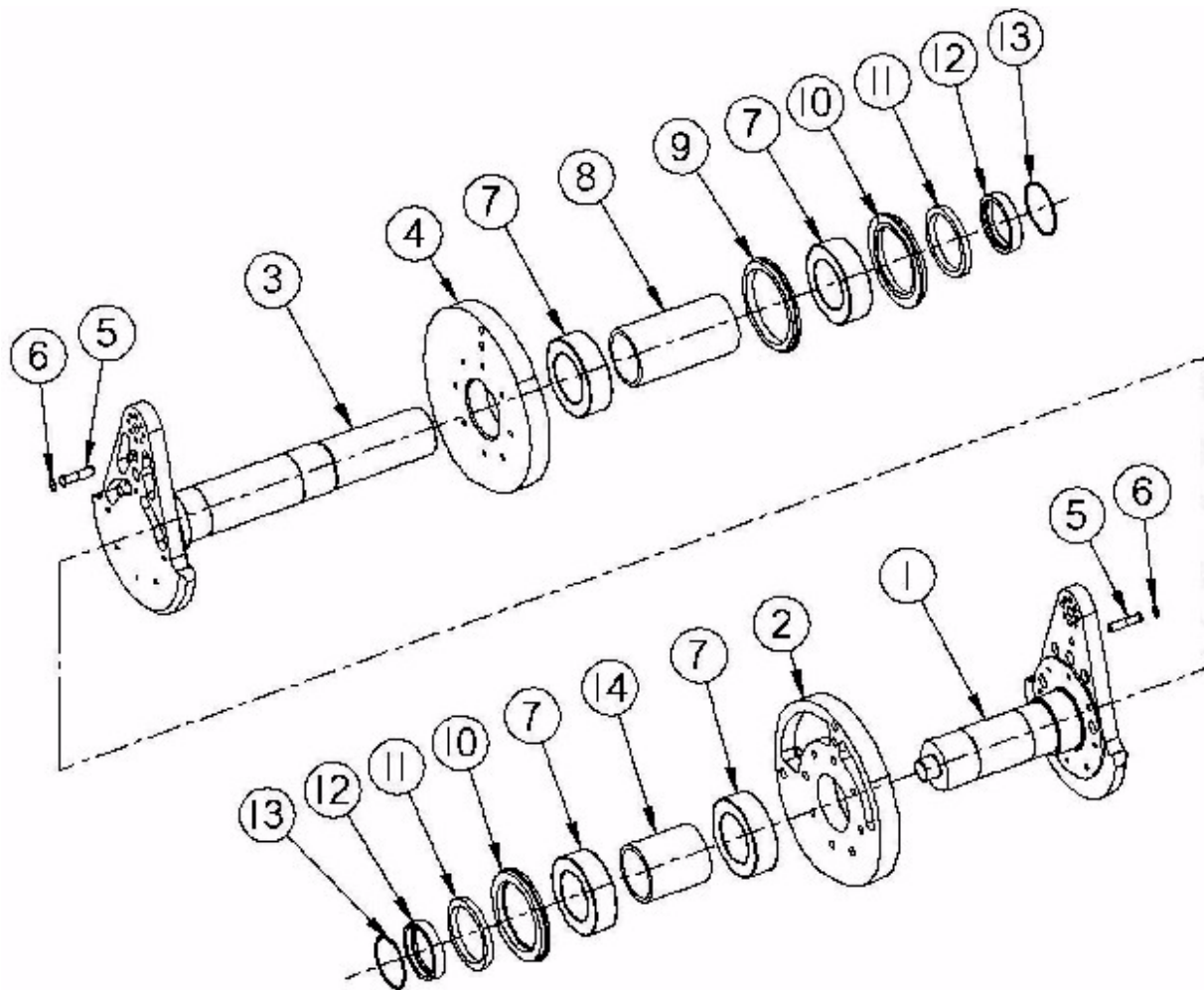
24" Stroke Crankshaft Assembly 7th Generation Standard Duty



24" Stroke Crankshaft Assembly 7th Generation Heavy Duty

Item Number	Part Number	Description
1	113022	Crankshaft, 24 Operator Side
2	112298	7th Generation Redraw Cam, Timing Side
3	113066	Crankshaft, 24 Drive Side
4	112299	7th Generation Redraw Cam, Drive Side
5	114514	Cam Alignment Pin 24 & 26.5
6	770030	Snap Ring
7	700110	Bearing
8	114511	Main Bearing Spacer, Drive Side
9	114508	Crankshaft Inner Bearing Locating Ring, Drive Side
10	114507	Crankshaft Bearing Locating Ring
11	770210	Seal
12	112102	Main Bearing Outboard Spacer
13	770940	O-ring
14	114513	Main Bearing Spacer, Operator Side

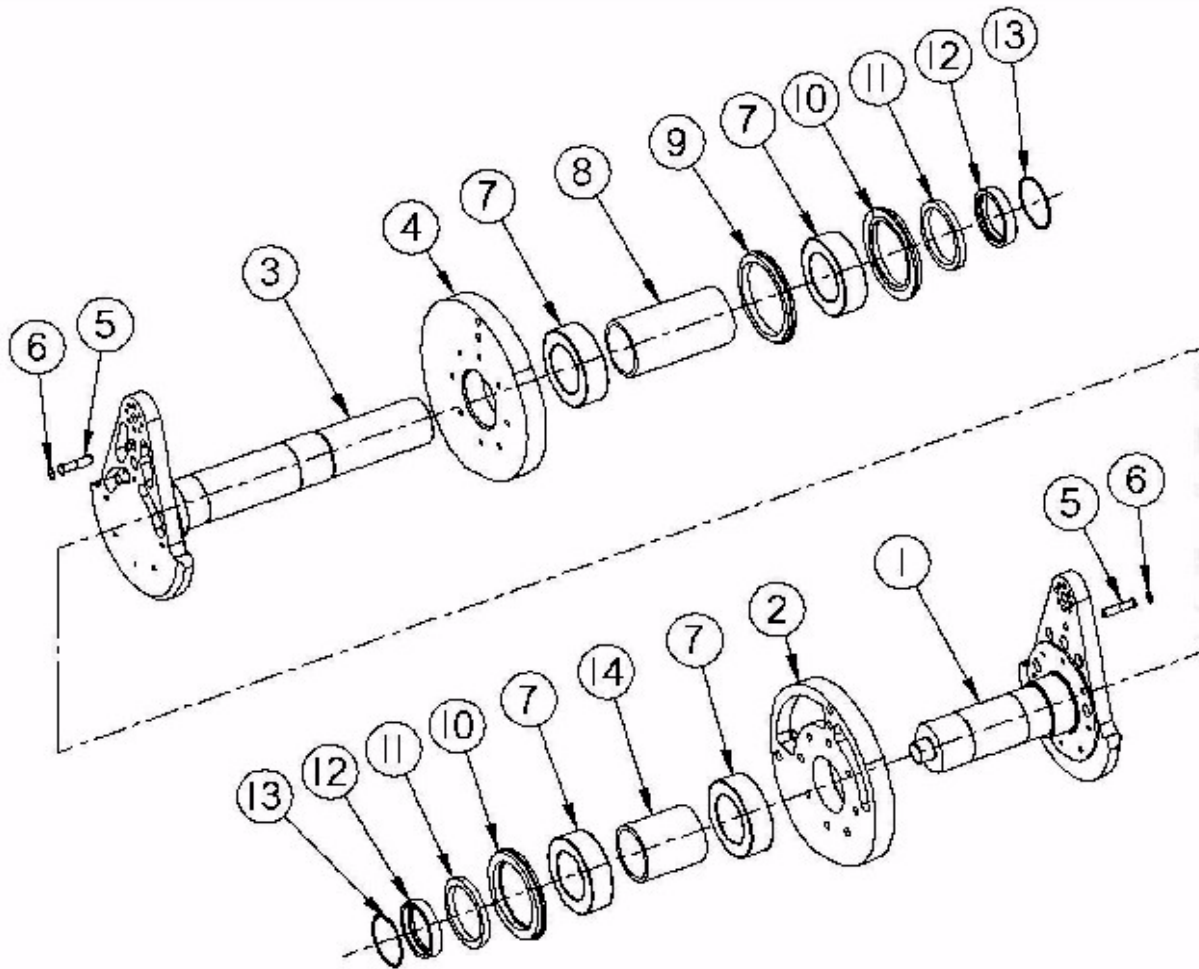
24" Stroke Crankshaft Assembly 7th Generation Heavy Duty



26 1/2” Stroke Crankshaft Assembly 6th Generation Standard Duty

Item Number	Part Number	Description
1	113022	Crankshaft, 24 Operator Side
2	112298	7th Generation Redraw Cam, Timing Side
3	113066	Crankshaft, 24 Drive Side
4	112299	7th Generation Redraw Cam, Drive Side
5	114514	Cam Alignment Pin 24 & 26.5
6	770030	Snap Ring
7	700110	Bearing
8	114511	Main Bearing Spacer, Drive Side
9	114508	Crankshaft Inner Bearing Locating Ring, Drive Side
10	114507	Crankshaft Bearing Locating Ring
11	770210	Seal
12	112102	Main Bearing Outboard Spacer
13	770940	O-ring
14	114513	Main Bearing Spacer, Operator Side

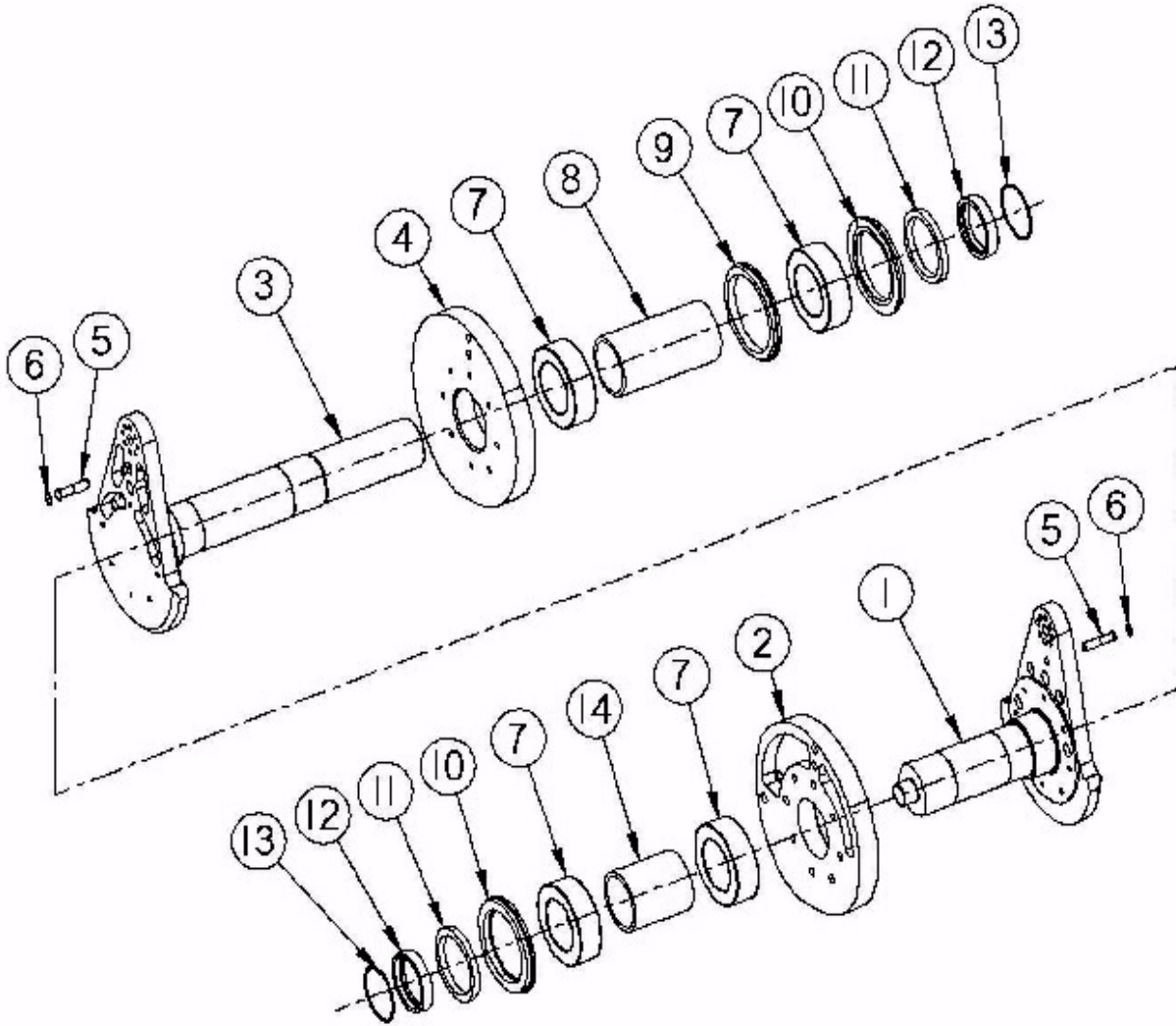
26 1/2" Stroke Crankshaft Assembly 6th Generation Standard Duty



26 1/2" Stroke Crankshaft Assembly Standard Duty With 3 Inch Redraw Stroke

Item Number	Part Number	Description
1	114526	Crankshaft, 26.5 Operator Side
2	110911	3" Stroke Redraw Cam, Timing Side
3	114525	Crankshaft, 26.5 Drive Side
4	110912	3" Stroke Redraw Cam, Drive Side
5	114514	Cam Alignment Pin 24 & 26.5
6	770030	Snap Ring
7	700110	Bearing
8	114511	Main Bearing Spacer, Drive Side
9	114508	Crankshaft Inner Bearing Locating Ring, Drive Side
10	114507	Crankshaft Bearing Locating Ring
11	770210	Seal
12	112102	Main Bearing Outboard Spacer
13	770940	O-ring
14	114513	Main Bearing Spacer, Operator Side

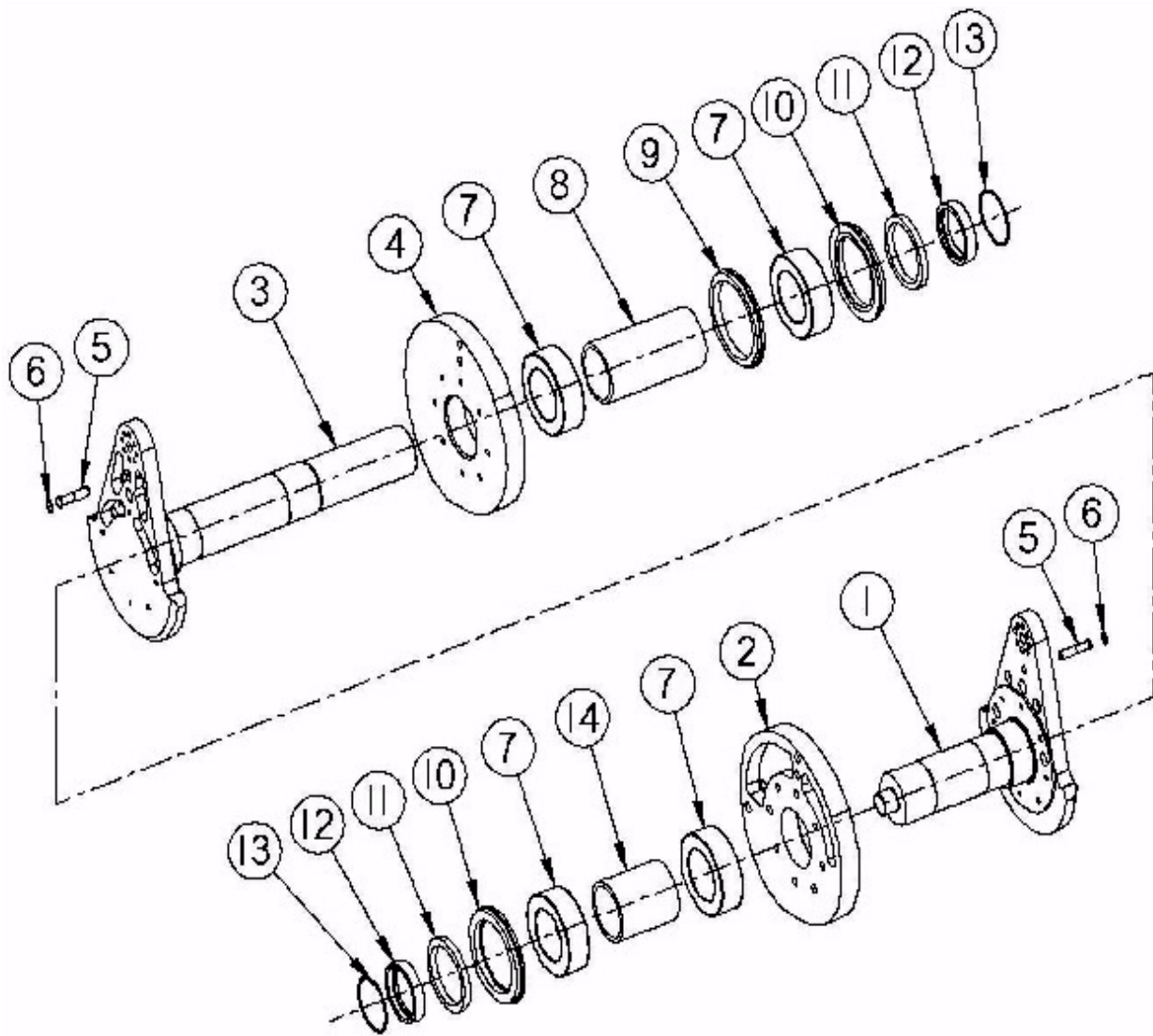
26 1/2" Stroke Crankshaft Assembly Standard Duty With 3 Inch Redraw Stroke



26 1/2" Stroke Crankshaft Assembly 6th Generation Heavy Duty

Item Number	Part Number	Description
1	113068	Crankshaft, 26.5 Operator Side
2	113103	6th Generation Redraw Cam, Timing Side
3	113069	Crankshaft, 26.5 Drive Side
4	113104	6th Generation Redraw Cam, Drive Side
5	114514	Cam Alignment Pin 24 & 26.5
6	770030	Snap Ring
7	700110	Bearing
8	114511	Main Bearing Spacer, Drive Side
9	114508	Crankshaft Inner Bearing Locating Ring, Drive Side
10	114507	Crankshaft Bearing Locating Ring
11	770210	Seal
12	112102	Main Bearing Outboard Spacer
13	770940	O-ring
14	114513	Main Bearing Spacer, Operator Side

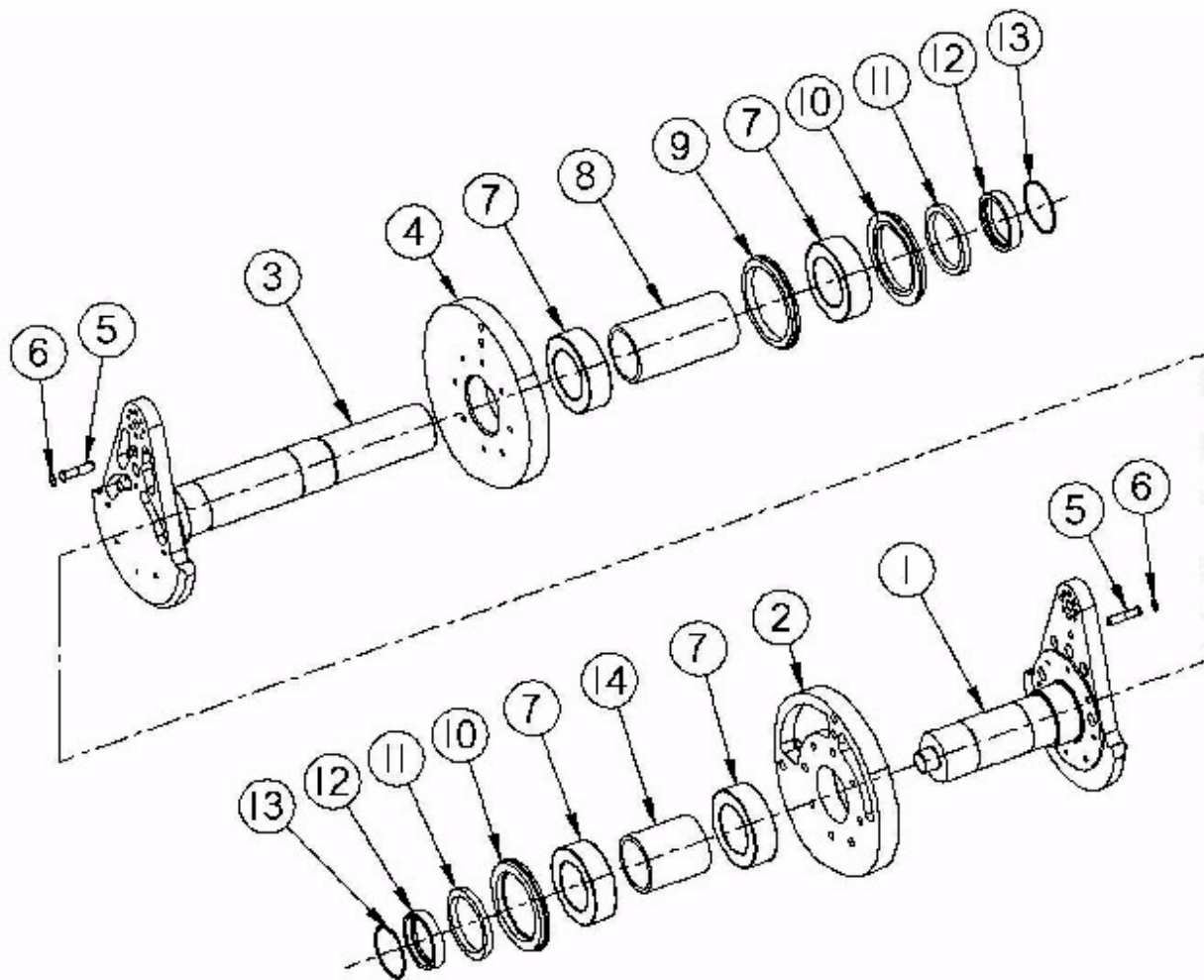
26 1/2" Stroke Crankshaft Assembly 6th Generation Heavy Duty



26 1/2" Stroke Crankshaft Assembly Heavy Duty With 3 Inch Redraw Stroke

Item Number	Part Number	Description
1	113068	Crankshaft, 26.5 Operator Side
2	110911	3" Stroke Redraw Cam, Timing Side
3	113069	Crankshaft, 26.5 Drive Side
4	110912	3" Stroke Redraw Cam, Drive Side
5	114514	Cam Alignment Pin 24 & 26.5
6	770030	Snap Ring
7	700110	Bearing
8	114511	Main Bearing Spacer, Drive Side
9	114508	Crankshaft Inner Bearing Locating Ring, Drive Side
10	114507	Crankshaft Bearing Locating Ring
11	770210	Seal
12	112102	Main Bearing Outboard Spacer
13	770940	O-ring
14	114513	Main Bearing Spacer, Operator Side

26 1/2" Stroke Crankshaft Assembly Heavy Duty With 3 Inch Redraw Stroke



Parallel Motion Assembly

Item Number	Part Number	Description
1	111933	Universal Idler Arm
2	114683	Bearing Cover Plate
3	770900	O-Ring
4	102353	Bearing Cartridge
5	770920	O-Ring
6	770040	Retaining Ring
7	700050	Bearing
8	114682	Idler Arm Shim Pack
9	116219	Idler Shaft
10	103575	Idler Arm Positioner Assembly
11	742790	Socket Head Cap Screw
12	102285	Peg
13	700040	Bearing
14	114532	Spacer
15	114533	Alignment Pin

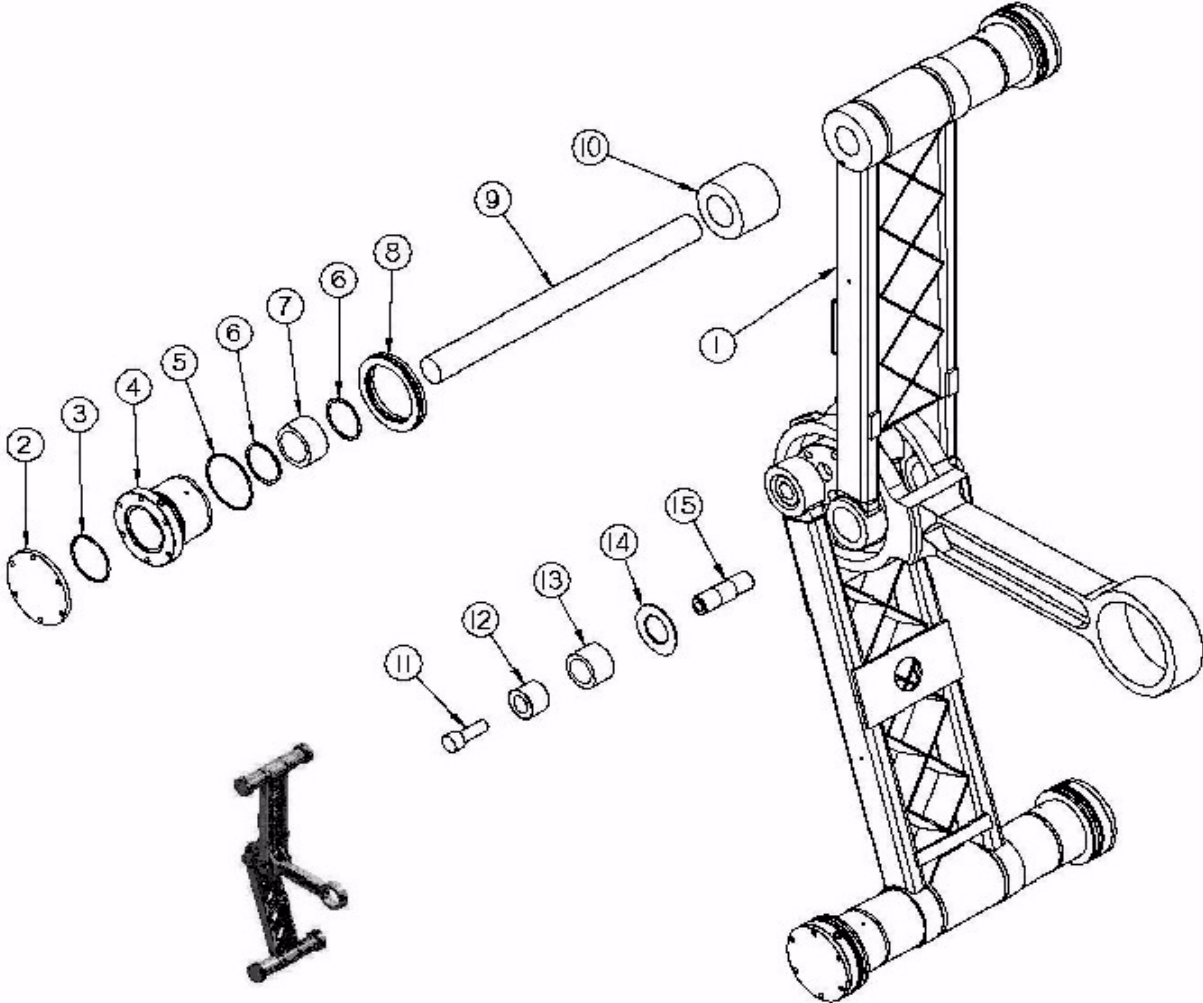
Not Shown:

N/A	102283	Journal Half, Right Hand
N/A	102284	Journal Half, Left Hand
N/A	705806	Connecting Rod Bearing, Large End
N/A	700100	Connecting Rod Bearing, Small End
N/A	111333	Connecting Rod, 18 1/2 & 21" Stroke
N/A	111511	Connecting Rod, 24 & 26 1/2" Stroke

Kits:

N/A	115984	Kit, PMA PM 24" RGS
N/A	116040	Kit, PMA PM 24" FBR

Parallel Motion Assembly

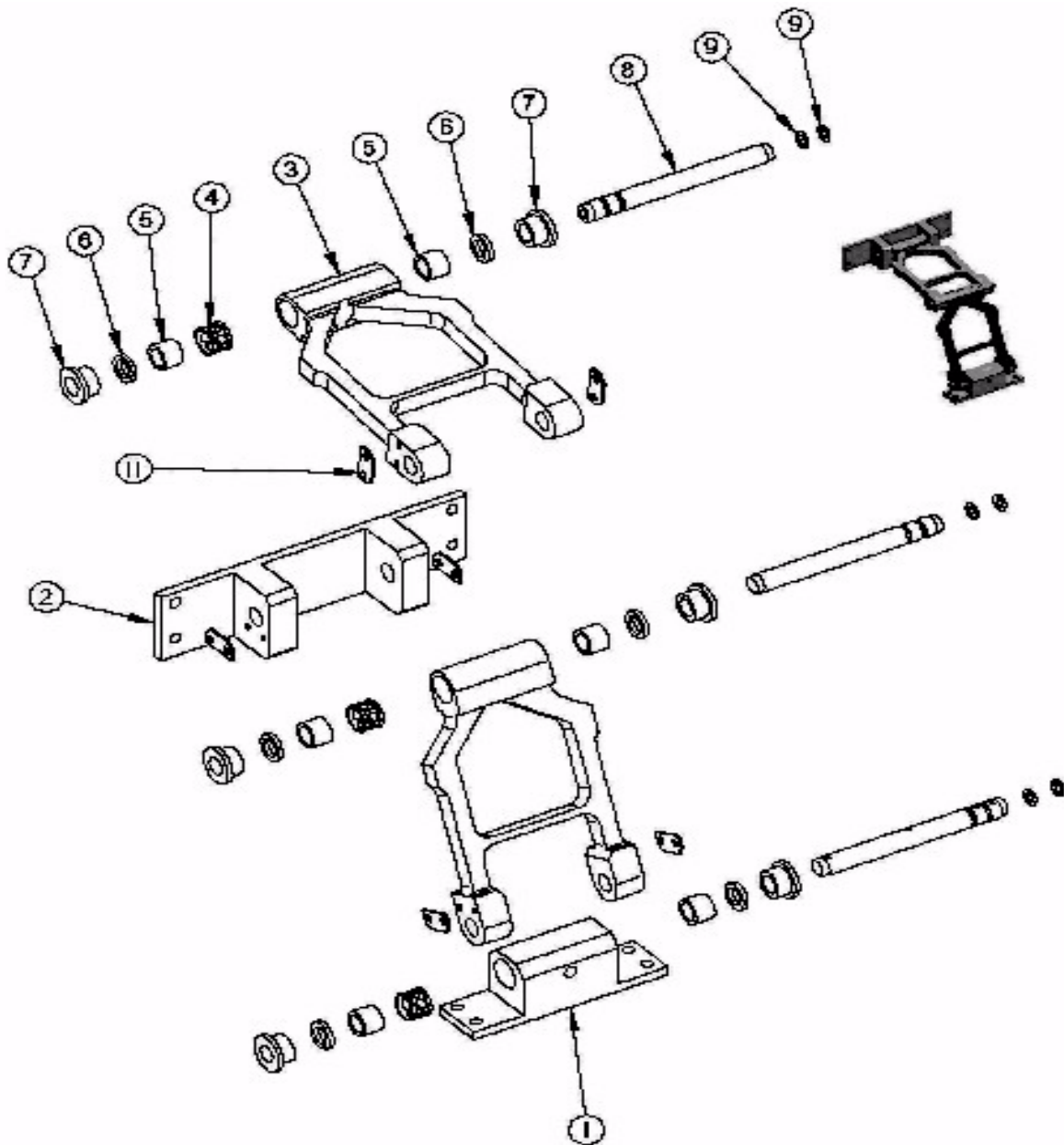


Lube Linkage Assembly

Old Style

Item Number	Part Number	Description
1	109470	Rod Link Base
2	110480	Idler Link Base
3	110903	Lube Linkage Arm
(or)	111267	Lube Linkage Arm
4	109472	Bearing Spacer
5	700186	Roller Bearing
6	773510	Seal
7	700187	Bearing
8	109471	Port Shaft
9	770520	O-Ring
10	109473	Clip

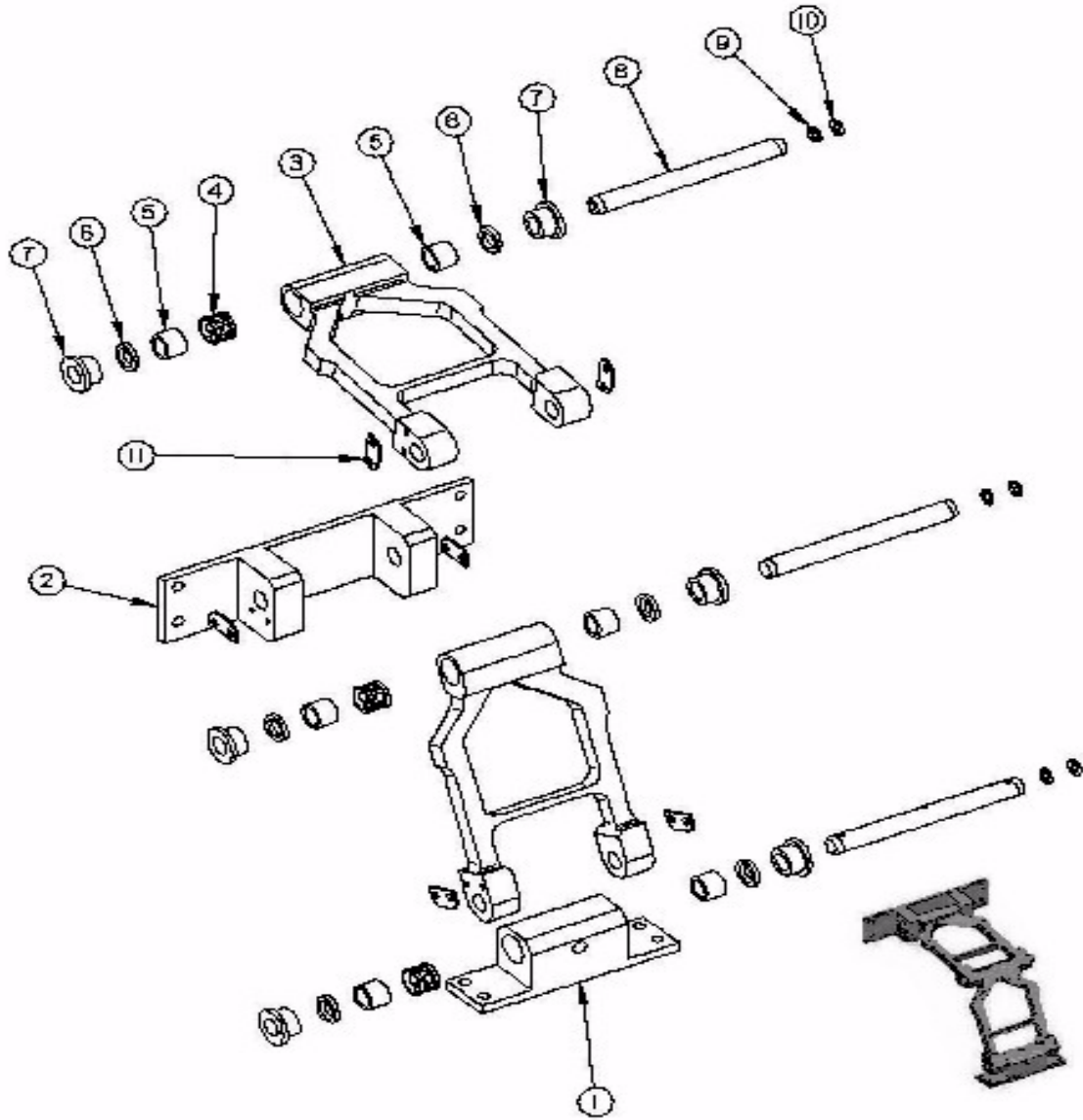
Lube Linkage Assembly Old Style



Lube Linkage Assembly New Style

Item Number	Part Number	Description
1	109470	Rod Link Base
2	114276	Idler Link Base
3	114277	Lube Linkage Arm
(or)	114279	Lube Linkage Arm
4	109472	Bearing Spacer
5	700186	Roller Bearing
6	773510	Seal
7	700187	Bearing
8	114275	Port Shaft
9	770520	O-Ring
10	770520	O-Ring
11	109473	Clip

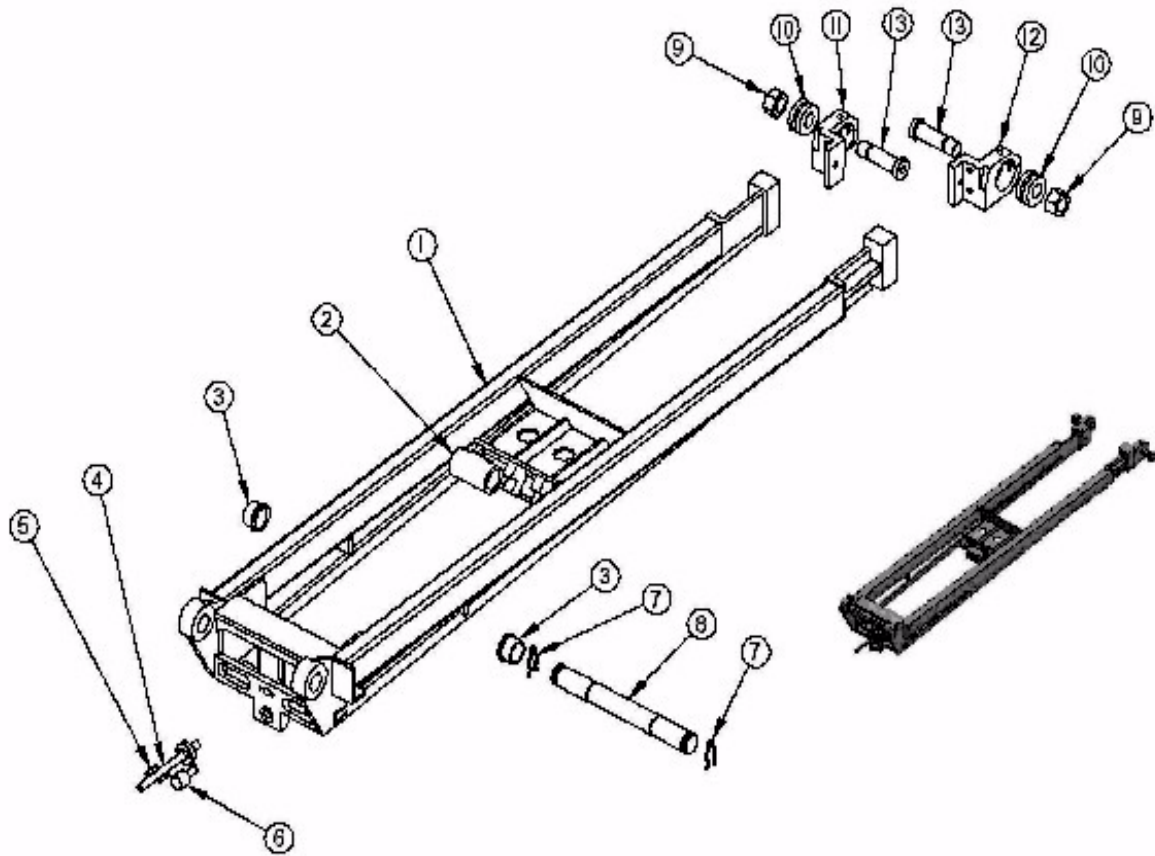
Lube Linkage Assembly New Style



Pushrod Assembly Standard 18 1/2" Stroke

Item Number	Part Number	Description
1	107748	18 1/2" Standard Pushrod
2	101113	Wrist Pin
3	106172	Redraw Motion Bushing
4	114838	Redraw Carriage Adjusting Stud
5	111307	Screw Stud
6	114839	Rocker Arm Stop
7	710296	Hairpin Clip
8	106614	Redraw Rocker Shaft
9	114651	Hex Nut
10	709280	Bearing
11	107743	Push Rod Lug Standard 18.5 RH
12	107742	Push Rod Lug Standard 18.5 LH
13	114649	Push Rod Lug Bolt

Pushrod Assembly Standard 18 1/2" Stroke



PushRod Assembly Standard 21" & 24" Stroke

Item Number	Part Number	Description
1	115190	21", 24", & 26" Stroke Standard Pushrod
2	101113	Wrist Pin
3	106172	Redraw Motion Bushing
4	114838	Redraw Carriage Adjusting Stud
5	111307	Screw Stud
6	114839	Rocker Arm Stop
7	710296	Hairpin Clip
8	106614	Redraw Rocker Shaft
9	114651	Hex Nut
10	709280	Bearing
11	104025	Push Rod Lug Standard 21" & 24" RH
12	104026	Push Rod Lug Standard 21" & 24" LH
13	114649	Push Rod Lug Bolt

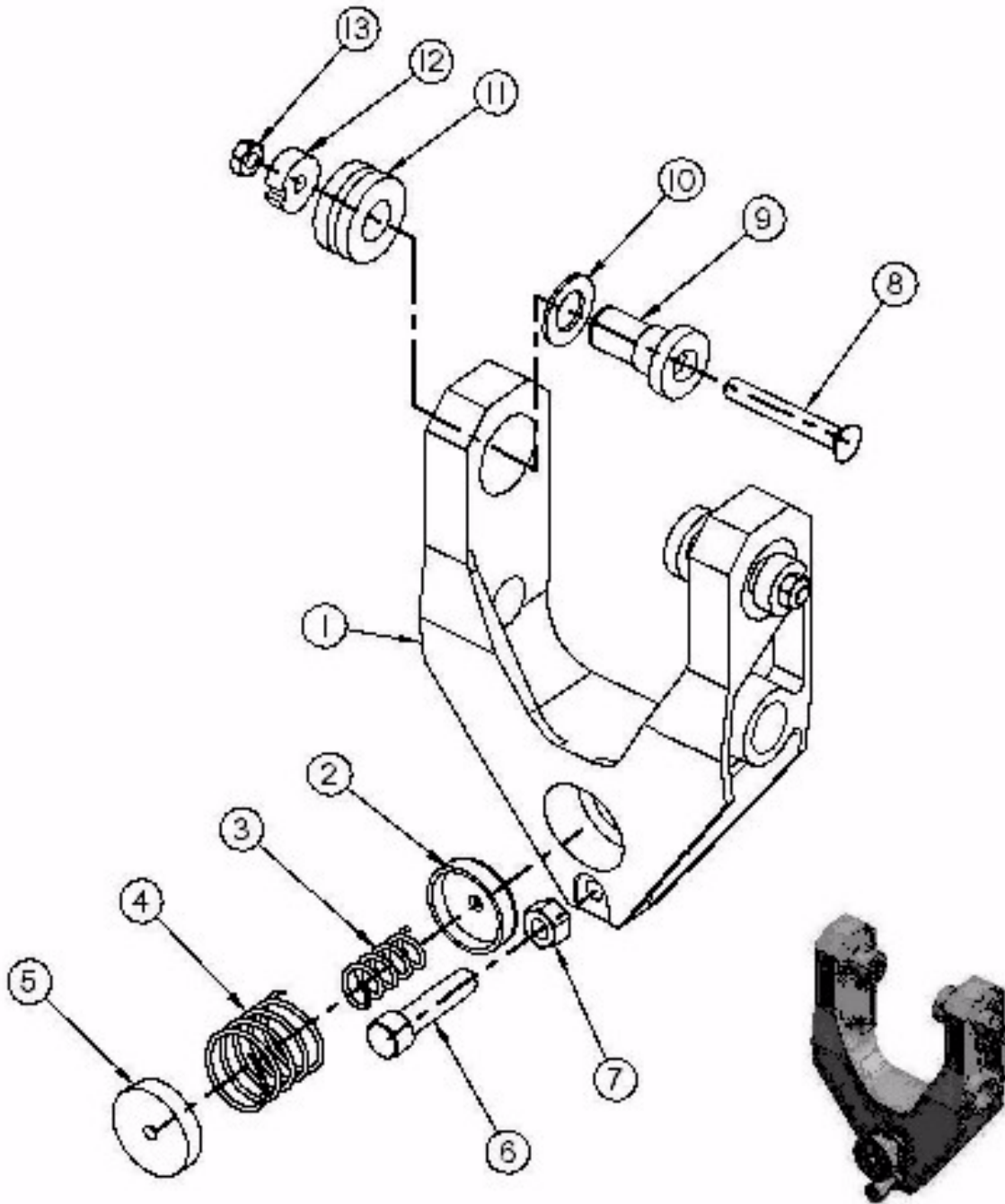
Pushrod Assembly Standard 26.5" Stroke

Item Number	Part Number	Description
1	115190	21", 24", & 26" Stroke Standard Pushrod
2	101113	Wrist Pin
3	106172	Redraw Motion Bushing
4	114838	Redraw Carriage Adjusting Stud
5	111307	Screw Stud
6	114839	Rocker Arm Stop
7	710296	Hairpin Clip
8	106614	Redraw Rocker Shaft
9	114651	Hex Nut
10	709280	Bearing
11	103870	Push Rod Lug Standard 26.5" RH
12	103869	Push Rod Lug Standard 26.5" LH
13	114649	Push Rod Lug Bolt

Rocker Arm Standard

Item Number	Part Number	Description
1	106062	Steel Rocker Arm
2	114833	Inner Spring Retainer
3	755360	Spring
4	755370	Spring
5	114837	Outer Spring Retainer
6	742710	Socket Head Cap Screw
7	750620	Hex Nut
8	744090	Flat Head Cap Screw
9	106507	Hinge Pin
10	106615	Washer
11	709280	Bearing
12	106144	Redraw Hinge Pin Nut
13	750861	Lock Nut

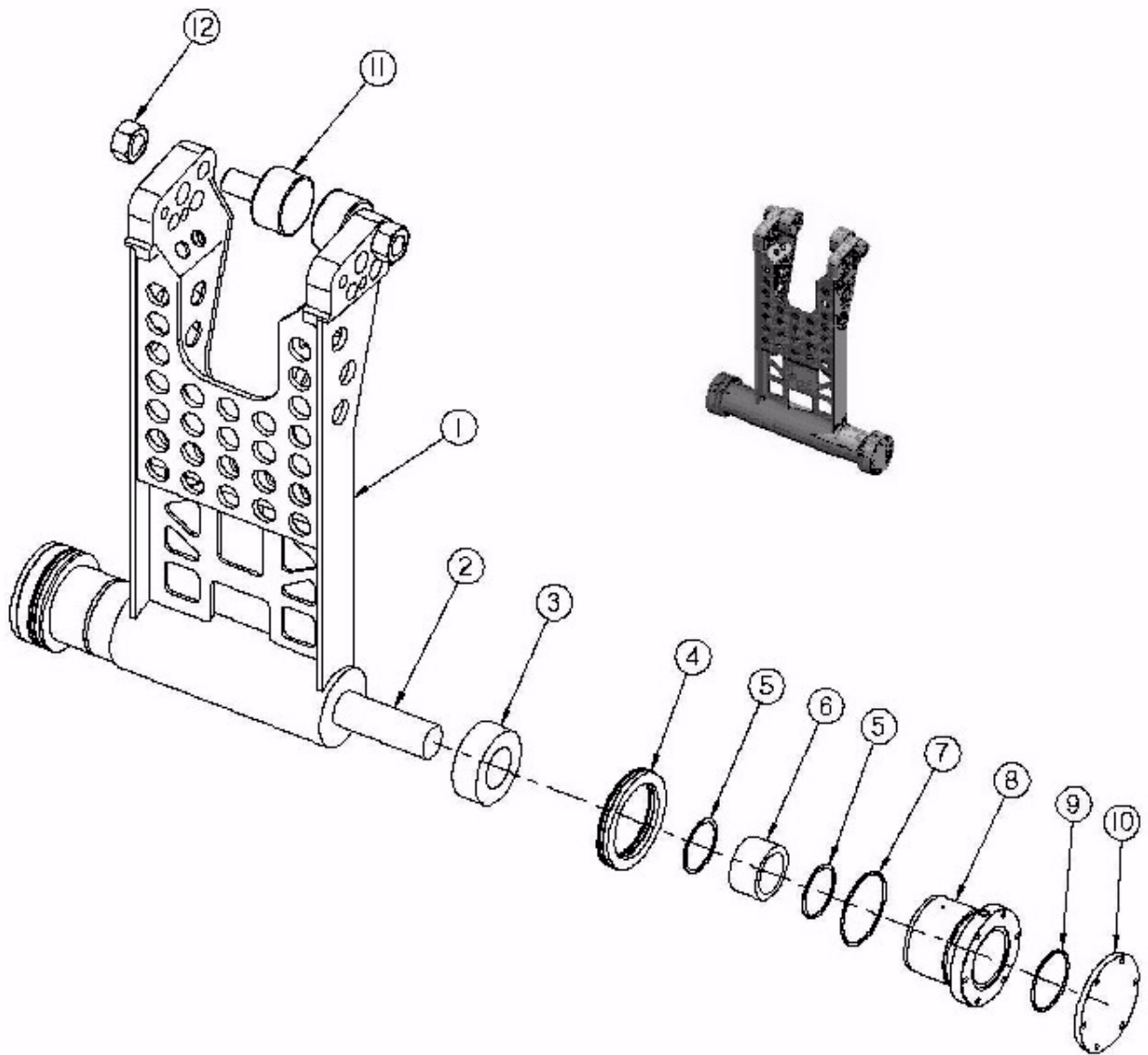
Rocker Arm Standard



Redraw Idler Arm Assembly

Item Number	Part Number	Description
1	112733	Universal Redraw Idler Arm
2	116219	Redraw Idler Shaft with Lube Port
3	102937	Redraw Idler Arm Positioner Assembly
4	114682	Idler Arm Shim Pack
5	770040	Retaining Ring
6	700050	Bearing
7	770920	O-Ring
8	102353	Bearing Cartridge
9	770900	O-Ring
10	114683	Bearing Cover Plate
11	703465	Cam Follower
12	114750	Nut

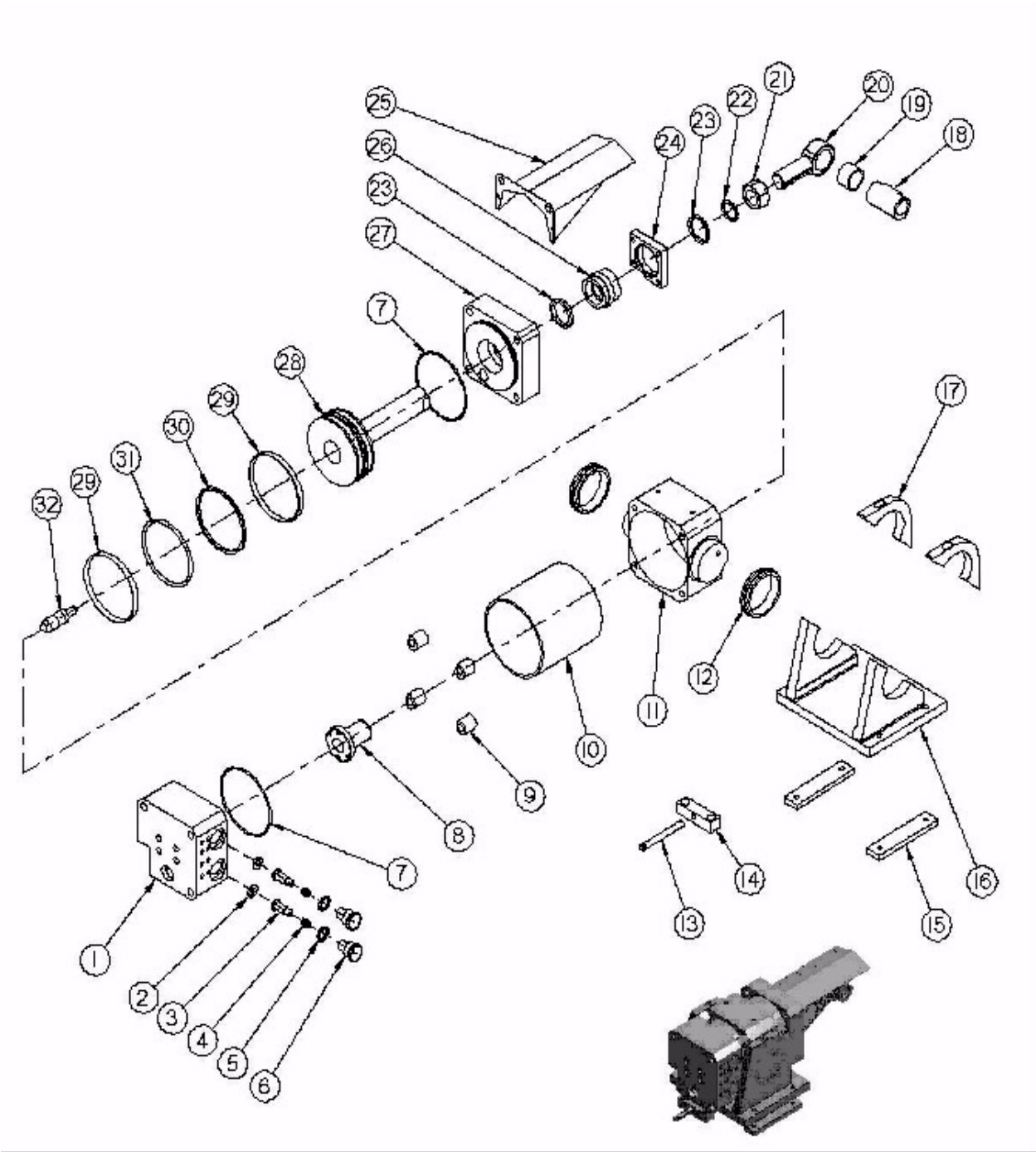
Redraw Idler Arm Assembly



Airspring Cylinder Assembly - 7th Generation

Item Number	Part Number	Description
1	107566	Blind End Cover Assembly
2	773170	Viton Seal
3	100983	Air Cylinder Piston
4	103724	Spring
5	770840	O-Ring
6	100981	Poppet Assembly (incl. items 2,3& 5)
7	770970	O-Ring
8	114775	Orifice Bushing
9	114748	Spacer
10	114795	Ceramic Cylinder Tube
11	106356	Trunnion
12	107786	Trunnion Mount Bushing
13	114836	Adjusting Stud
14	114772	Adjusting Block
15	114187	Tandem Nut
16	107772	Trunnion Mount
17	N/A	Not Sold Separately
18	101113	Wrist Pin
19	105751	Rod End Bushing
20	101114	Rod End
21	114750	Nut
22	751110	Lock Washer
23	106379	Wick
24	107061	Bearing Retainer
25	114788	Splash Guard
26	114778	Rod Bearing
27	106380	Rod End Cover
28	105921	Air Cylinder Piston Rod
29	106378	Wear Ring
30	770310	Glyd Ring
31	771050	O-Ring
32	107999	7th Generation Cushion Nose

Airspring Cylinder Assembly 7th Generation



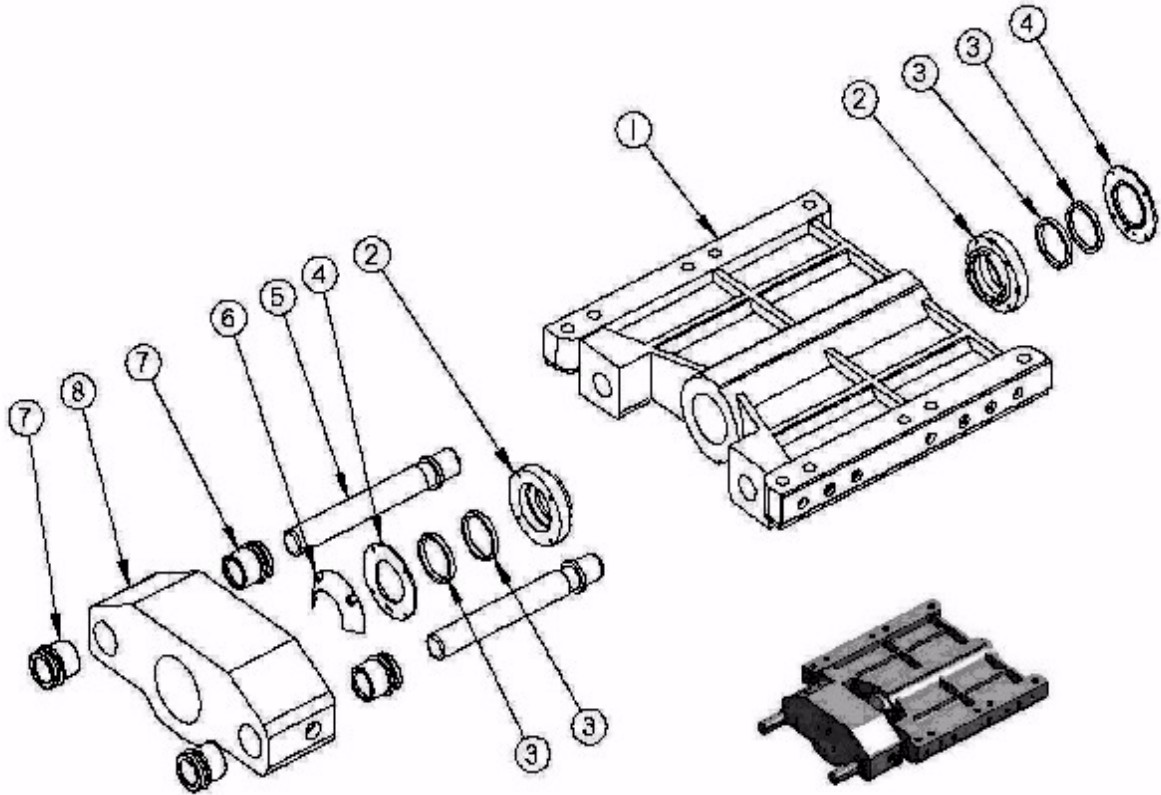
Fluid Bearing Housing Assembly 18 1/2" & 21" Stroke

Item Number	Part Number	Description
1	111421	Fluid Bearing Ram Housing
2	111432	Fluid Bearing Ram Housing End Cap
3	773686	Seal
4	114337	Fluid Bearing Ram Seal Cover Plate
5	750117	Guide Post
6	111766	Splash Shield
7	111540	Bushing
8	111539	Redraw Carriage Body

Not Shown:

N/A	111435	Orifice
N/A	750279	O-Ring Boss Plug

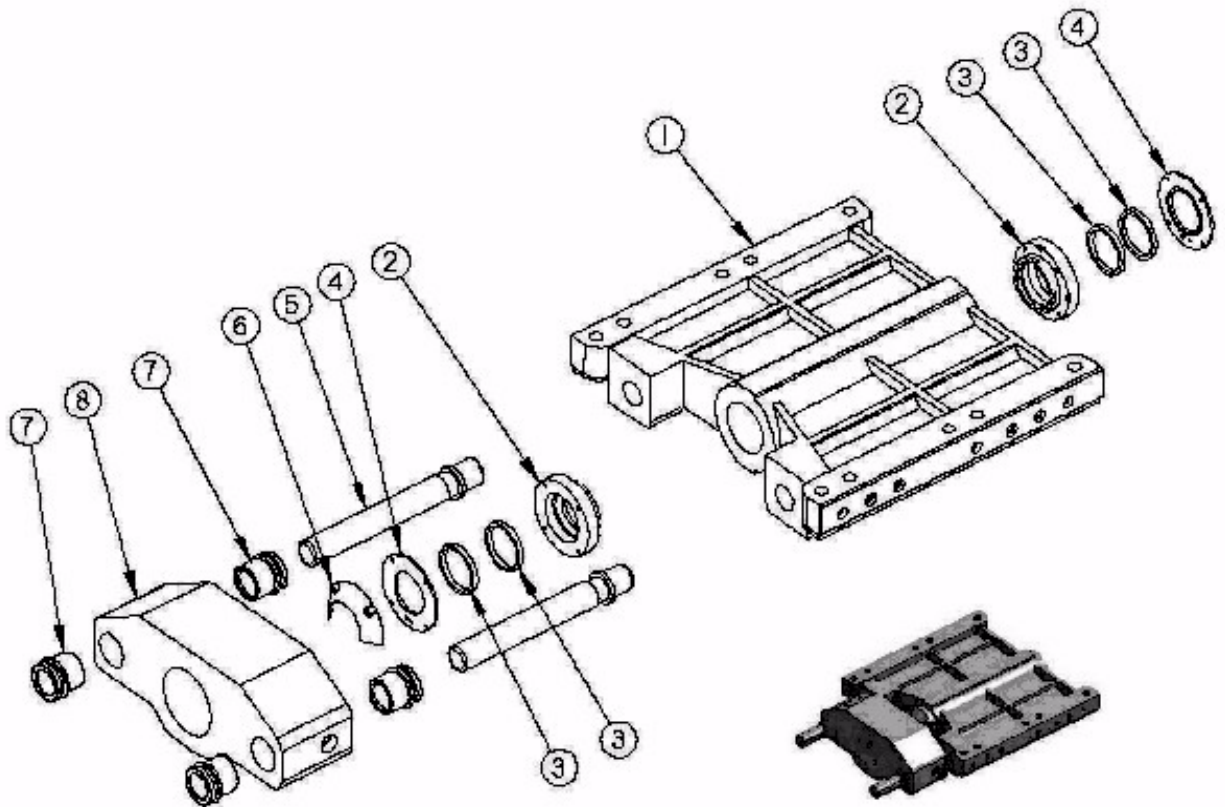
Fluid Bearing Housing Assembly 18 1/2" & 21" Stroke



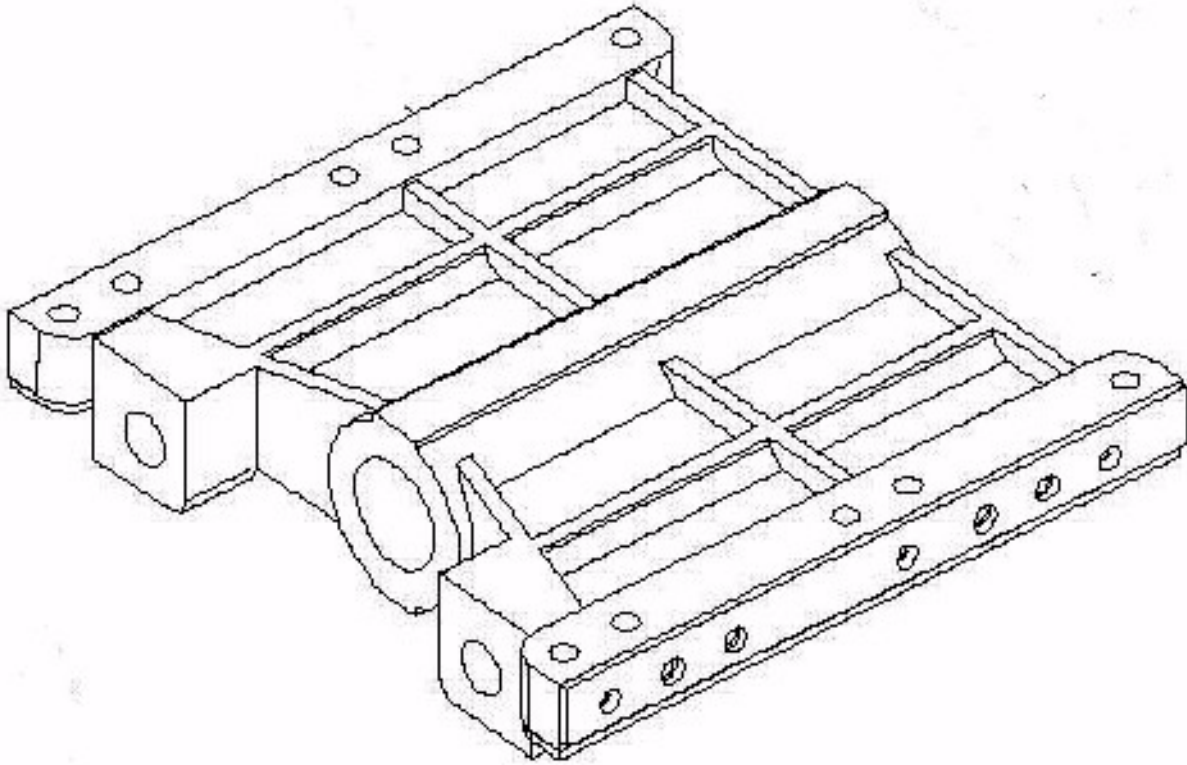
Fluid Bearing Housing Assembly 24" & 26 1/2" Stroke

Item Number	Part Number	Description
1	111414	Fluid Bearing Ram Housing
2	111432	Fluid Bearing Ram Housing End Cap
3	773686	Seal
4	114337	Fluid Bearing Ram Seal Cover Plate
5	750117	Guide Post
6	111766	Splash Shield
7	111540	Bushing
8	111539	Redraw Carriage Body
Not Shown:		
N/A	111435	Orifice
N/A	750279	O-Ring Boss Plug

Fluid Bearing Housing Assembly 24" & 26 1/2" Stroke



Fluid Bearing Housing Assembly Rework All Stroke Lengths



Item Number	Part Number	Description
1	111421-rwk	Fluid Bearing Ram Housing Rework, 18 1/2" & 21" Stroke
2	111414-rwk	Fluid Bearing Ram Housing Rework, 24" & 26" Stroke

Rework includes inspection of housing, removal of old bushing, installation and machining of new bushing, and restoration of complete housing to new equipment specifications.

For more information on rework for Fluid Bearing Rams, please call us. We have several rework options available.

Covered by U.S. Patents # 4,934,167 and # 4,976,131

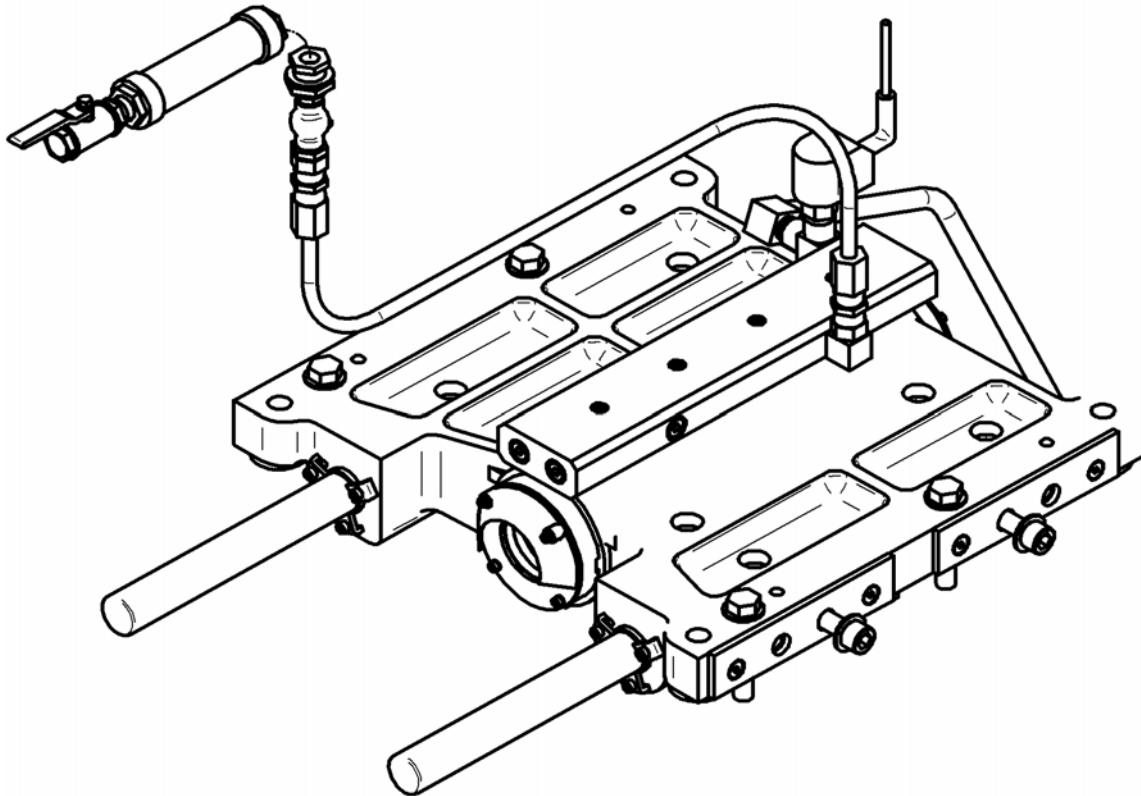
****Please call us for an RMA number before returning parts for rework. ****

Improved Fluid Bearing Technology with Hycomp Bushings

Item Number	Part Number	Description
1	116459	ASSEMBLY, 211 DIAMETER PLAIN BRG, 18.5 & 21" STROKE
2	116483	ASSEMBLY, 211 DIAMETER, PLAIN BRG, 24 & 26.5" STROKE

Rework existing customer owned housing

Item Number	Part Number	Description
1	116459-RWK	ASSEMBLY, 211 DIAMETER, PLAIN BRG, 18.5 & 21" STROKE
2	116483-RWK	ASSEMBLY, 211 DIAMETER, PLAIN BRG, 24 & 26.5" STROKE



IFBR Assembly with ram

211 diameter:

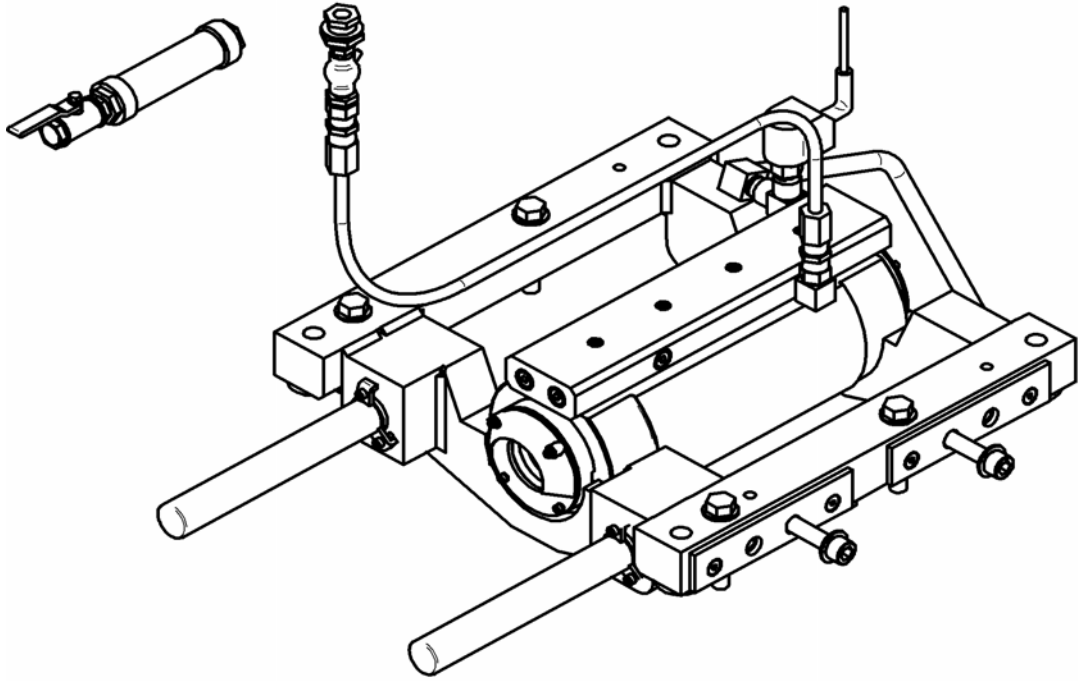
Item Number	Part Number	Description
1	116510	ASSEMBLY, IFBR, 211 DIAMETER, 18.5 & 21" STROKE
2	116513	ASSEMBLY, IFBR, 211 DIAMETER, 24 & 26.5" STROKE
3	116518	ASSEMBLY, IFBR, 211 DIAMETER, EM2, ALL STROKES

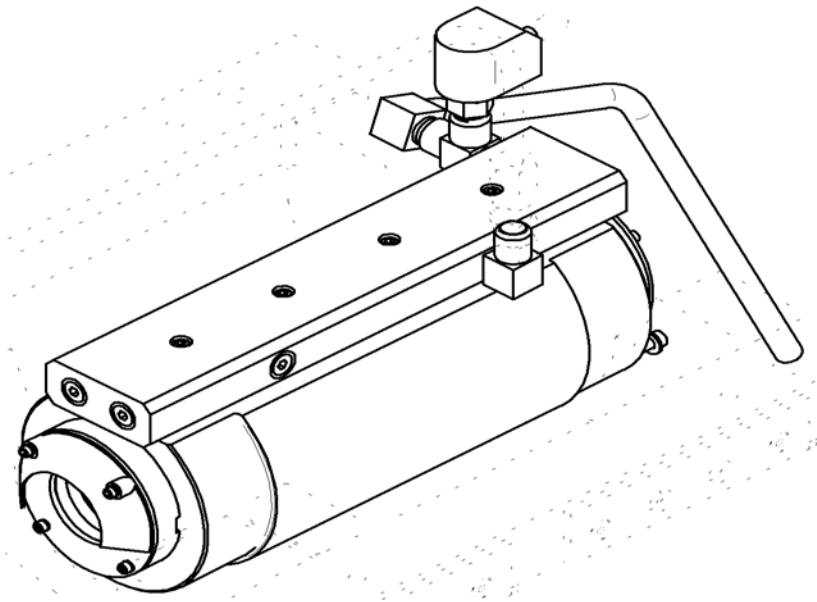
300 diameter:

Item Number	Part Number	Description
1	116644	ASSEMBLY, IFBR, 300 DIAMETER, 24-28" STROKES
2	116524	ASSEMBLY, IFBR, 300 DIAMETER, EM2, ALL STROKE

202 diameter:

Item Number	Part Number	Description
1	116770	ASSEMBLY, IFBR, 202 DIAMETER, 18.5 & 21" STROKES





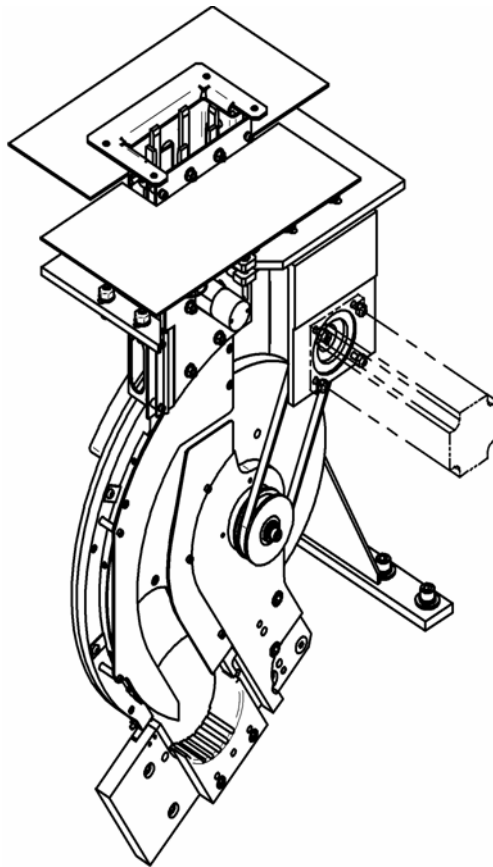
Barrel for Size Change

Item Number	Part Number	Description
1	116886	ASSEMBLY, BARREL CHANGE 211 DIAMETER
2	116887	ASSEMBLY, BARREL CHANGE 300 DIAMETER
3	116885	ASSEMBLY, BARREL CHANGE 202 DIAMETER
4	TBD	RAM WITH BARREL 202-300 DIAMETER

Replacement Barrel

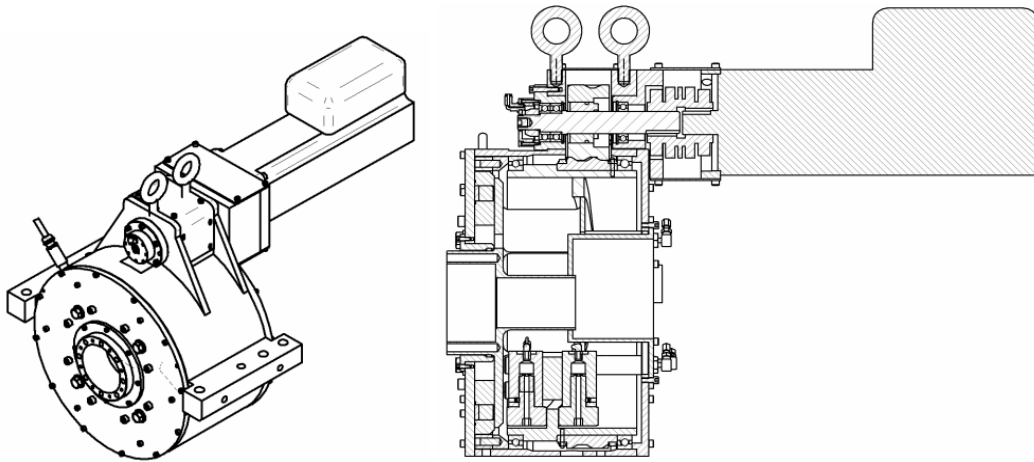
Item Number	Part Number	Description
1	116506	SUB-ASSY, BARREL MACHINING, 211 DIAMETER
2	116522	SUB-ASSY, BARREL MACHINING, 300 DIAMETER
3	116756	SUB-ASSY, BARREL MACHINING, 202 DIAMETER

SERVO Driven Positive Cup Feed



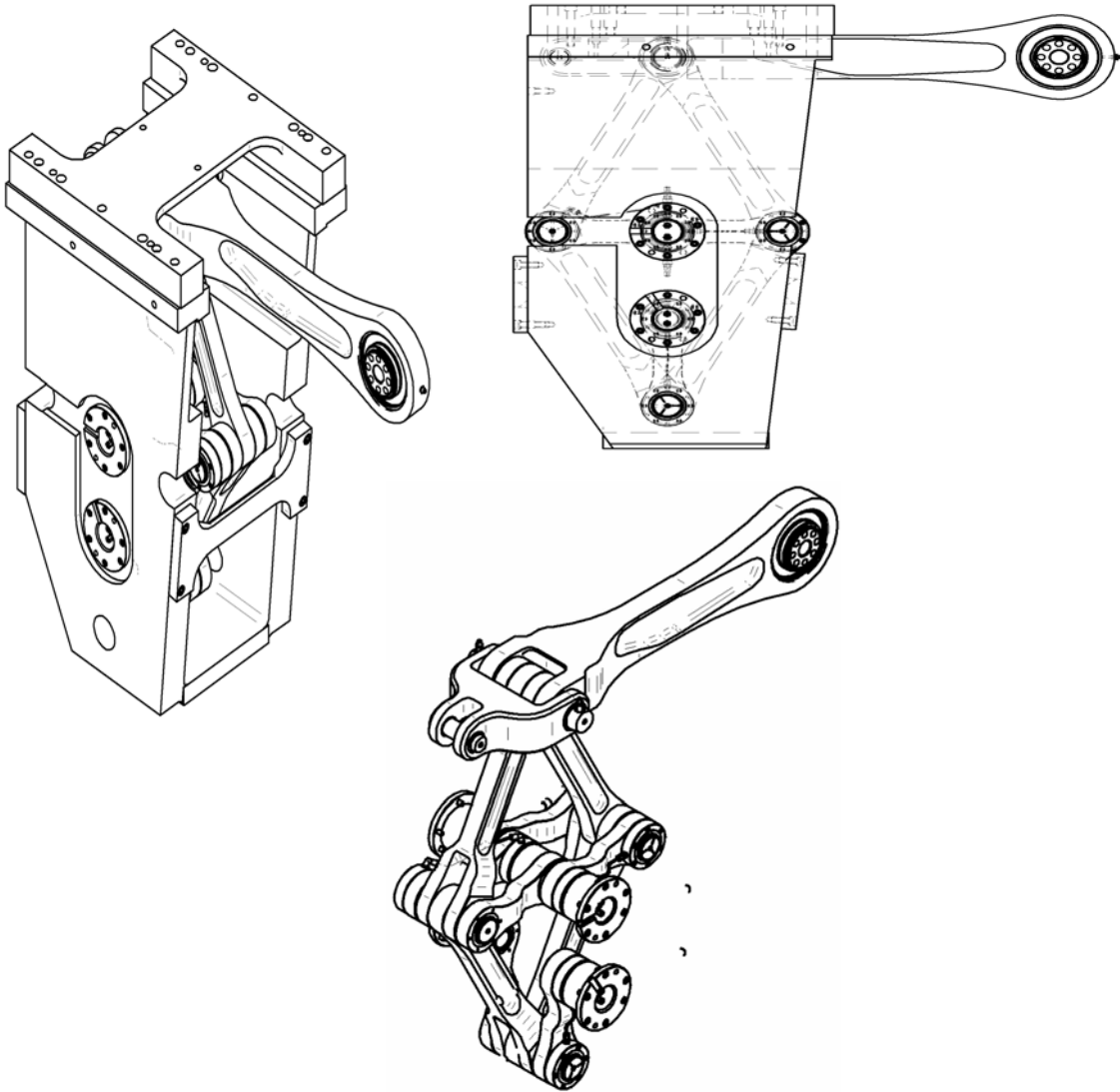
Part Number	Description
CALL	ASSEMBLY, SERVO CUP FEED

EM2 REDRAW
ELECTRO MECHANICAL, ELECTRO MAGNETIC REDRAW



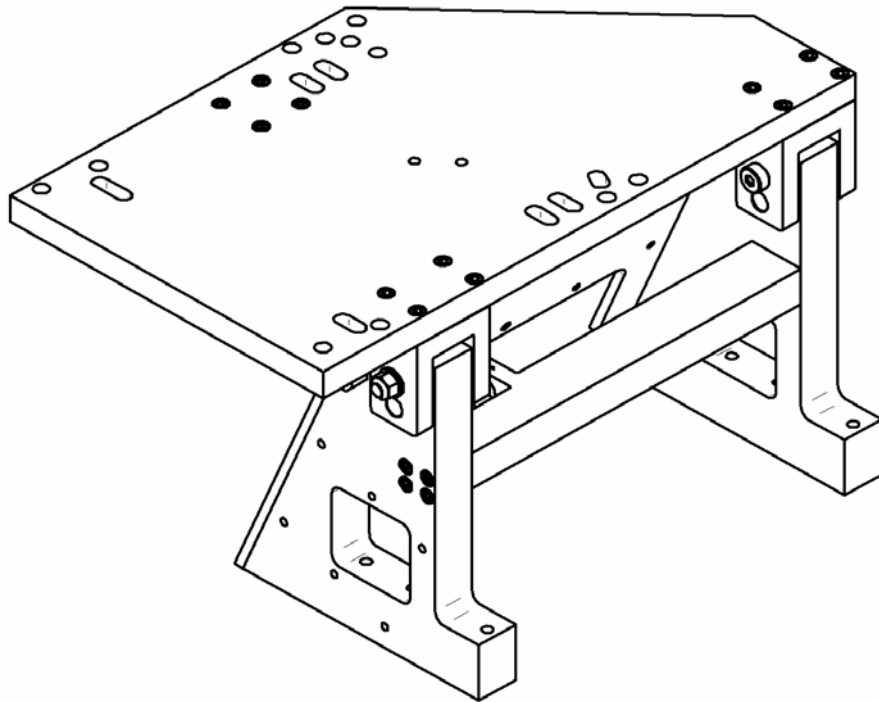
Item Number	Part Number	Description
1	116600	ASSEMBLY EM2 REDRAW
2	116285	ASSY, EM-EM REDRAW 2.000 SROKE, UP TO 211 DIAMETER
3	116537	ASSY, EM-EM REDRAW 2.000 STROKE, UP TO 300 DIAMETER

DIAMOND LINKAGE ASSEMBLY



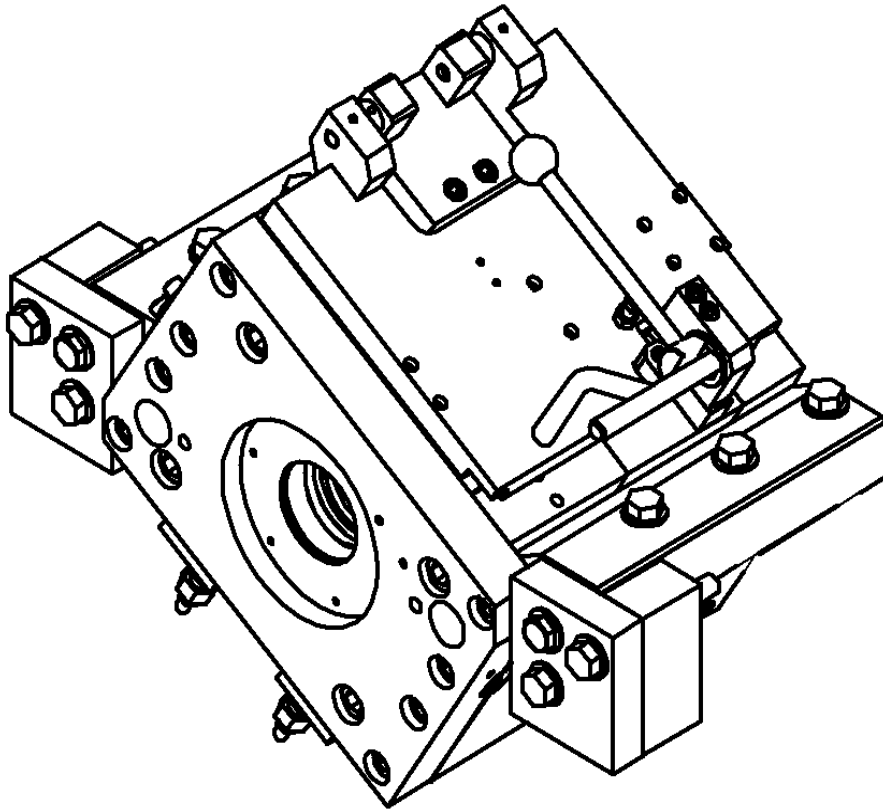
Part Number	Description
116035	ASSEMBLY, DIAMOND LINKAGE
116844	DIAMOND MAINTENANCE KIT

DIAMOND LINKAGE ASSEMBLY With Actuator



Part Number	Description
115973	ASSEMBLY, DIAMOND MOTOR MOUNT W/ ACTUATOR

TOOL PACK



Call for your application

Stolle offers replacement toolpacks for your Ragsdale Bodymaker applications from 18.5 to 30 inch stroke length, 202 to 300 body diameter, Aluminum or Steel cans.