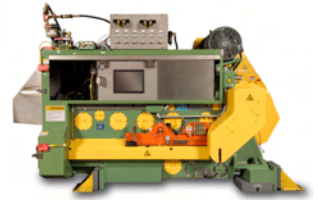




### **Diamond Linkage**

For the Stolle Ragsdale Bodymaker  
November 2007

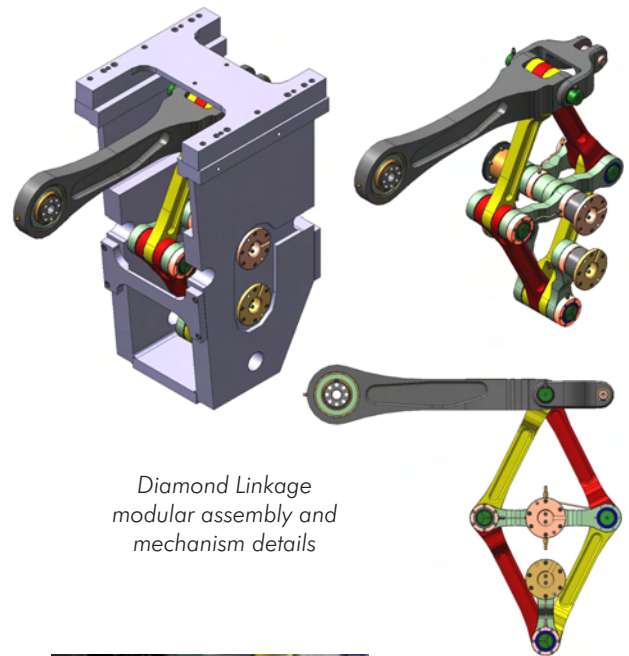


In a Stolle Ragsdale Bodymaker, the parallel motion assembly (PMA) converts the rotational motion of the crankshaft into the horizontal linear motion of the ram. Stolle has developed a new **Diamond Linkage** that offers several advantages over a standard PMA.

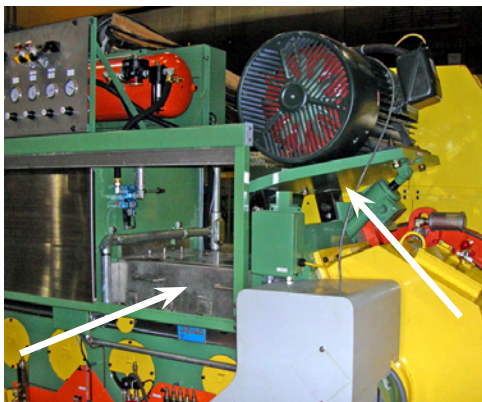
The Diamond Linkage provides very accurate straight line motion of the ram - variation is reduced from .06" with a standard PMA to only .005". This much more accurate straight line travel not only increases tooling life, but may also improve can quality. The Diamond Linkage mechanism has 200 lbs. less moving mass than a standard PMA, which significantly reduces bodymaker vibration and resulting wear.

The Diamond Linkage has a compact, modular construction that's easy to install in the bodymaker. It features an integrated lubrication system with fewer lube points, which reduces mechanical maintenance. The design of the Diamond Linkage allows for a new motor mount assembly which supports the motor horizontally as opposed to on an angle with a standard "A-frame" PMA upper mount. This new motor mount also provides easy access to the Diamond Linkage for maintenance.

Please contact Stolle CMD at 303-708-9044 for pricing and lead time information on the Stolle Ragsdale Diamond Linkage.



*Diamond Linkage modular assembly and mechanism details*



*Easy access to Diamond Linkage assembly, new motor mount on Stolle Ragsdale Bodymaker*



*Integrated lubrication system connections at top of modular assembly*



**Stolle Machinery Company - Can Machinery Division**  
6949 South Potomac Street, Centennial, CO 80112  
Phone: 303-708-9044 Fax: 303-708-9045  
www.stollemachinery.com

Copyright 2007 Stolle Machinery Company, All Rights Reserved

